

BeO FREE™

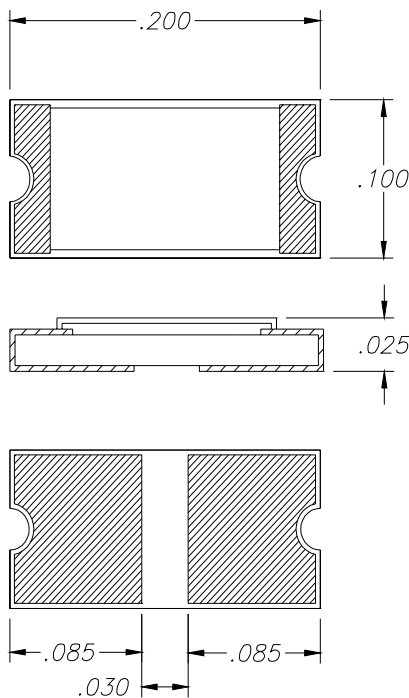
SURFACE MOUNT RESISTOR

Features:

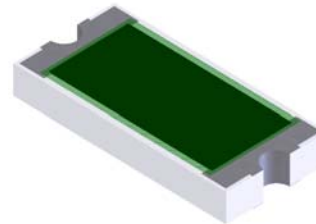
- ◆ BeO Free™ material
- ◆ 10 Watt input power
- ◆ Surface mountable

General Description:

The REC2010CT-XXXX*JN-83 is a standard (.5 - 1Mohm available) surface mountable chip resistor. It has an input power of 10 watts, while maintaining a heat sink temperature of 100°C.



Dimensions in inches
Tolerance ± .010
unless otherwise stated

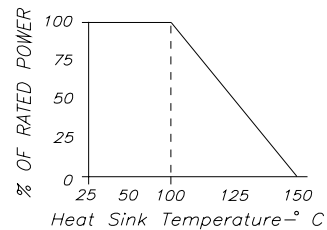


* XXXX = Resistance Value in Ohms
.5 - 1Mohm available

Ohms
0.5...R500
11R00
10.....10R0
50.....50R0
100...1000
150...1500
1K.....1001
10K...1002
100K.1003
470K.4703
1M....1004

Sample part number:
REC2010CT-50R0JN-83

DERATING CURVE:



Parameter	Min.	Typ.	Max.	Units
Input Power			10	Watts
Resistance Tolerance		+/- 5%		Ohms
Mounting Surface Temperature			100	°C

* Barry Industries reserves the right to change part number and or process without notification

Barry Industries, Inc., 60 Walton St., Attleboro, MA 02703 T: 508-226-3350 F: 508-226-3317 E-mail: sales@barryind.com

Barry is ISO 9001:2000 Certified by



Origination Date	Revision Date	Rev.
9/25/07	9/25/07	-