



WWW.BARRYIND.COM

K04Z-50R0J2T-00C36-X



Aluminum Nitride

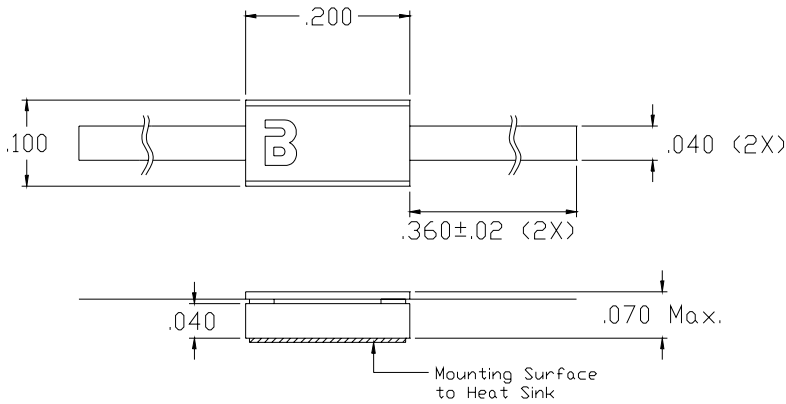
LEADED RESISTOR

Features:

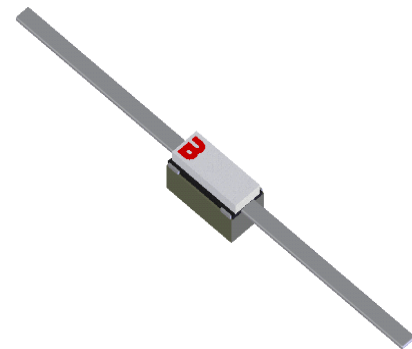
- ◆ Aluminum Nitride Material
- ◆ 20 Watt Input Power
- ◆ Surface Mountable

General Description:

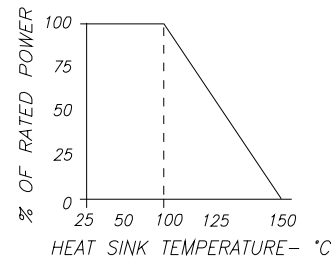
The K04Z-50R0J2T-00C36-X is a leaded 50 ohm Aluminum Nitride resistor. It offers an input power of 20 watts max, while maintaining a constant mounting surface temperature of 100°C.



Dimensions in inches
Tolerance ± .010
unless otherwise stated



DERATING CURVE:



Parameter	Min.	Typ.	Max.	Units
Input Power			20	Watts
Resistance	47.5	50.0	52.5	Ohms
Mounting Surface Temperature			100	°C

Barry Industries reserves the right to change part number and or process without notification.

Barry Industries, Inc., 60 Walton St., Attleboro, MA 02703 T: 508-226-3350 F: 508-226-3317 E-mail: sales@barryind.com

Barry Industries maintains an ISO 9001 Certified Quality Management System

Origination Date	Revision Date	Rev.
01/30/08	01/30/08	-