



WWW.BARRYIND.COM

RXXXX-50-3E



BeO

FLANGED RESISTOR

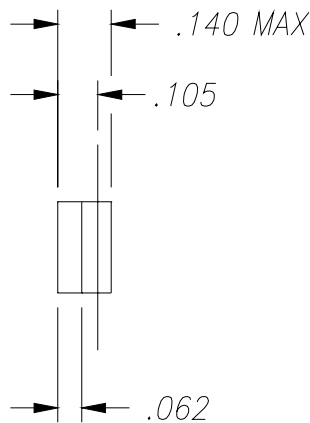
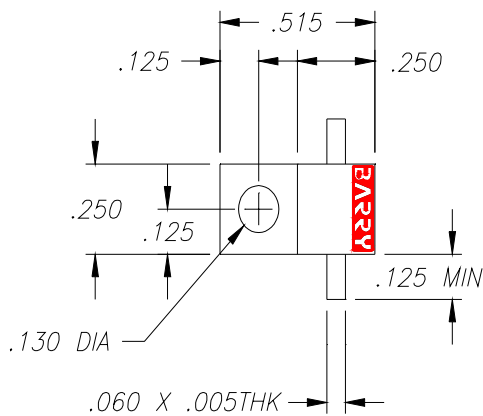
Features:

- ◆ BeO Material
- ◆ 50 Watt Input Power
- ◆ Flange Mount
- ◆ All Brazed Construction

General Description:

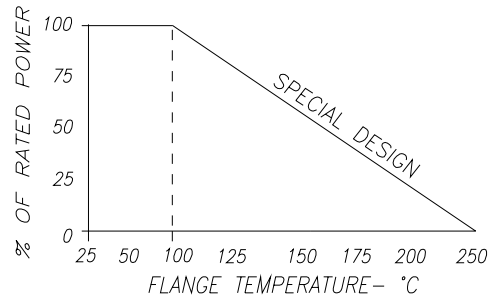
The RXXXX-50-3E is a leaded resistor brazed onto a flange. It offers an input power of 50 watts max, while maintaining a constant flange temperature of 100°C. It offers standard resistance values of 50 and 100 Ohms.

Example part numbers: R1000-50-3E = 100 Ohms
R50R0-50-3E = 50 Ohms



Part number will appear under Barry logo.

DERATING CURVE:



Parameter	Min.	Typ.	Max.	Units
Input Power			50	Watts
Resistance		+/-5%		Ohms
Flange Temperature			100	°C

Barry Industries reserves the right to change part number and or process without notification

Barry Industries, Inc., 60 Walton St., Attleboro, MA 02703 T: 508-226-3350 F: 508-226-3317 E-mail: sales@barryind.com

Barry Industries maintains an ISO 9001 Certified Quality Management System

Origination Date	Revision Date	Rev.
04/07/05	01/16/08	A