



WWW.BARRYIND.COM

RXXXX-30-3X

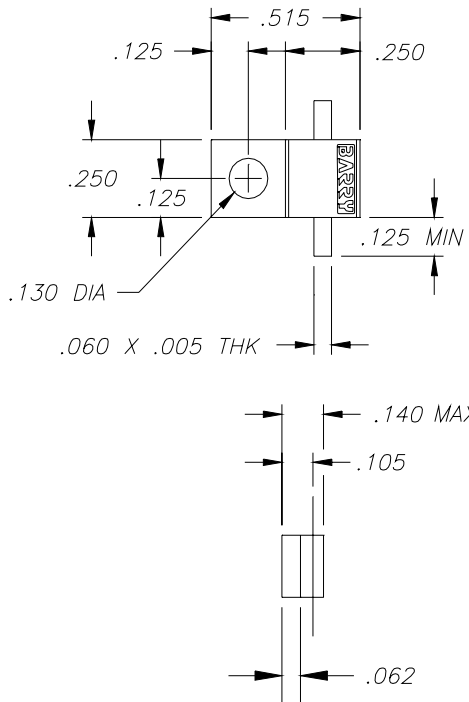


BeO

FLANGED RESISTOR

Features:

- ◆ BeO material
- ◆ 30 Watt input power
- ◆ Flange mount



Dimensions in inches
Tolerance $\pm .010$ unless
otherwise stated

Part number will appear
under Barry logo

General Description:

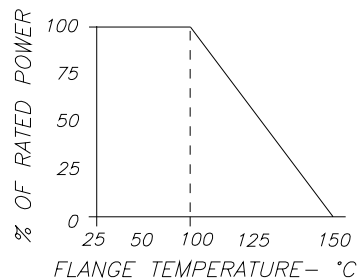
The RXXXX-30-3X is a BeO flanged resistor. It offers an input power of 30 watts max while maintaining a flange temperature of 100°C. Standard resistance values are 50 and 100 Ohms. Other values available.

Example part numbers: R50R0-30-3X = 50 Ohms
R1000-30-3X = 100 Ohms



Part number shown is for a 50 Ohm device

DERATING CURVE:



Parameter	Min.	Typ.	Max.	Units
Input Power			30	Watts
Resistance		+/- 5%		Ohms
Mounting Surface Temperature			100	°C

* Barry Industries reserves the right to change part number and or process without notification

Barry Industries, Inc., 60 Walton St., Attleboro, MA 02703 T: 508-226-3350 F: 508-226-3317 E-mail: sales@barryind.com

Barry Industries maintains an ISO 9001 Certified Quality Management System

Origination Date	Revision Date	Rev.
7/30/07	7/30/07	-