



WWW.BARRYIND.COM

RXXXX-30-3E



BeO

FLANGED RESISTOR

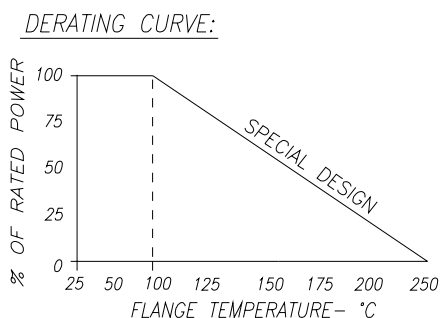
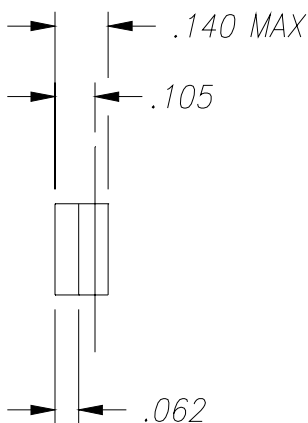
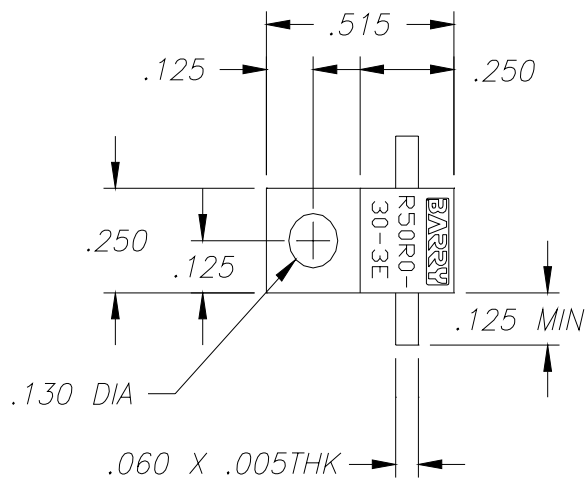
Features:

- ◆ BeO material
- ◆ 30 Watt power handling
- ◆ Flange mount
- ◆ All brazed construction

General Description:

The RXXXX-30-3E is a leaded resistor brazed onto a flange. It offers a power rating of 30 Watts max while maintaining a flange temperature of 100°C. It offers standard resistance values of 50 and 100 Ohms.

Example part numbers: R1000-30-3E = 100 Ohms
R50R0-30-3E = 50 Ohms



Parameter	Min.	Typ.	Max.	Units
Power Dissipation			30	Watts
Mounting Surface Temperature			100	°C

* Barry Industries reserves the right to change part number and or process without notification

Barry Industries, Inc., 60 Walton St., Attleboro, MA 02703 T: 508-226-3350 F: 508-226-3317 E-mail: sales@barryind.com

Barry Industries maintains an ISO 9001 Certified Quality Management System

DATE	REV.
01/09/06	-