



WWW.BARRYIND.COM

RAXXXX-30-3X



Aluminum Nitride

FLANGED RESISTOR

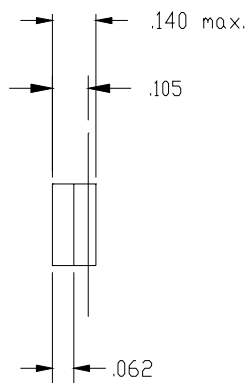
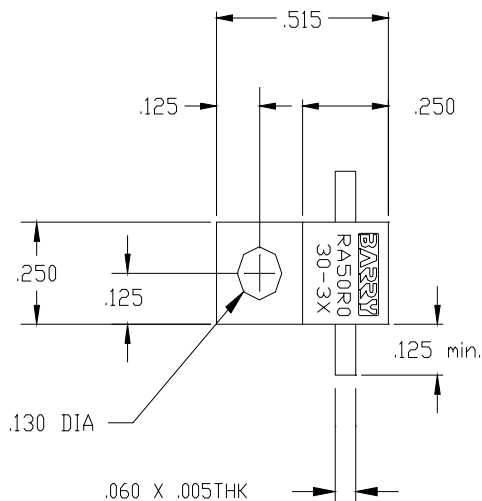
Features:

- ◆ AIN material
- ◆ 30 Watt power handling
- ◆ Flange mount

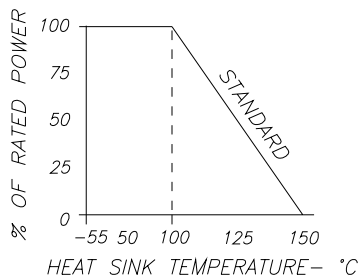
General Description:

The RAXXXX-30-3X is an Aluminum Nitride leaded resistor brazed onto a flange. It offers a power rating of 30 Watts max while maintaining a flange temperature of 100°C. It offers standard resistance values of 50 and 100 Ohms.

Example part numbers: RA50R0-30-3X = 50 Ohms
RA100R0-30-3X = 100 Ohms



DERATING CURVE:



Parameter	Min.	Typ.	Max.	Units
Power Dissipation			30	Watts
Flange Temperature			100	°C

* Barry Industries reserves the right to change part number and or process without notification

Barry Industries, Inc., 60 Walton St., Attleboro, MA 02703 T: 508-226-3350 F: 508-226-3317 E-mail: sales@barryind.com

Barry Industries maintains an ISO 9001 Certified Quality Management System

Date	Rev.
12/07/05	-