



WWW.BARRYIND.COM

RAXXXX-150-8X



Aluminum Nitride

FLANGED RESISTOR

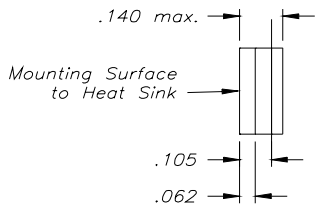
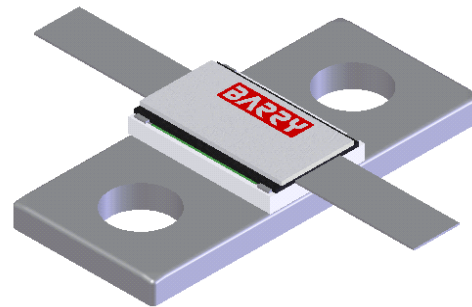
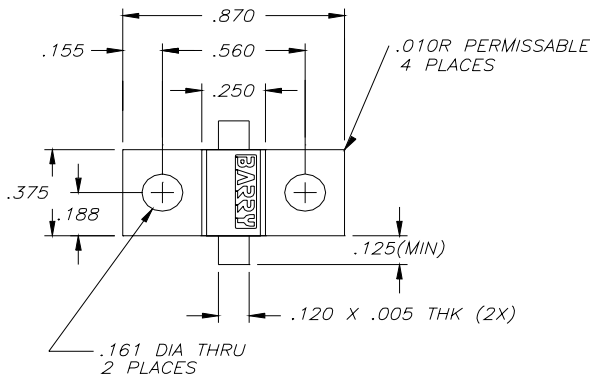
Features:

- ◆ AlN material
- ◆ 150 Watt input power
- ◆ Flange mount

General Description:

The RAXXXX-150-8X is an Aluminum Nitride flanged resistor with an input power of 150 watts, while maintaining a constant flange temperature of 100°C max. Standard resistance values are 50 ohms and 100 ohms. For other values, please contact the factory.

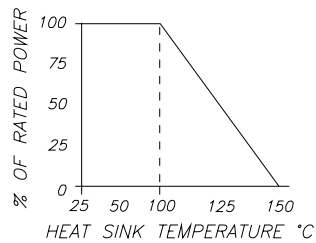
Example part number: RA50R0-150-8X = 50 ohms
RA100R-150-8X = 100 ohms



Dimensions in inches
Tolerance $\pm .010$ unless
otherwise stated

Part number will appear
under Barry logo

DERATING CURVE:



Parameter	Min.	Typ.	Max.	Units
Input Power			150	Watts
Resistance		+/- 5%		Ohms
Flange Temperature			100	°C

* Barry Industries reserves the right to change part number and or process without notification

Barry Industries, Inc., 60 Walton St., Attleboro, MA 02703 T: 508-226-3350 F: 508-226-3317 E-mail: sales@barryind.com

Barry Industries maintains an ISO 9001 Certified Quality Management System

Origination Date	Revision Date	Rev.
7/30/07	7/30/07	-