

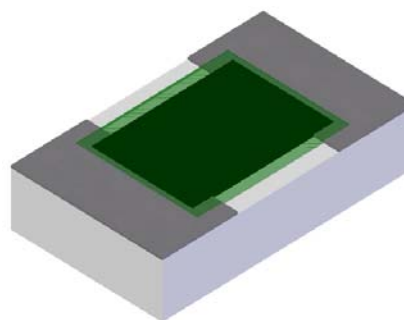
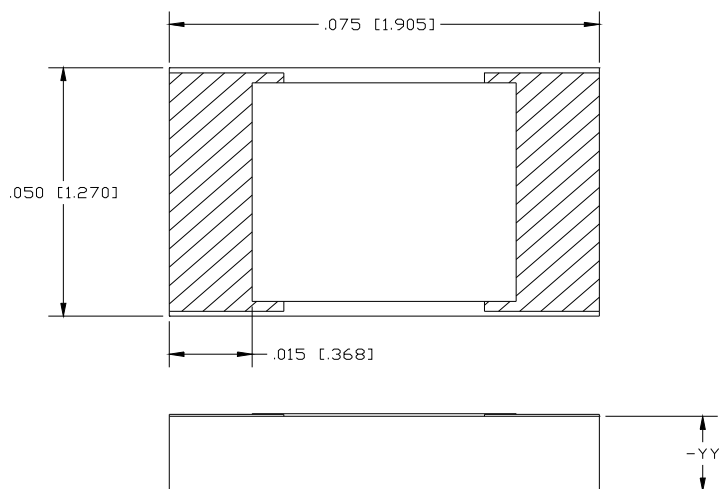
FLIP CHIP RESISTOR

Features:

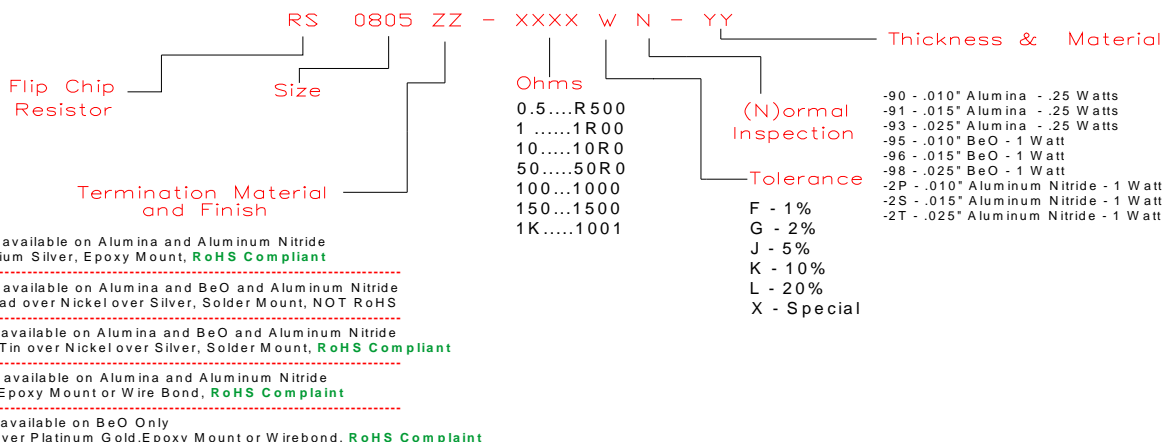
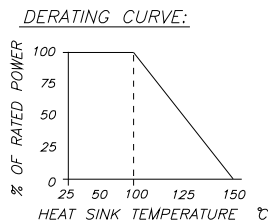
- ◆ Alumina, BeO or Aluminum Nitride Material
- ◆ Flip Chip - No Backpad

General Description:

The RS0805ZZ-XXXXWN-AA series is a flip chip resistor. It offers a small package design available in Alumina, BeO and Aluminum Nitride. See below for ordering options.



Dimensions in inches [mm]
Tolerance $\pm .005$ [.127]
unless otherwise stated



Barry Industries reserves the right to change part number and or process without notification.