



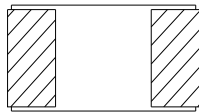
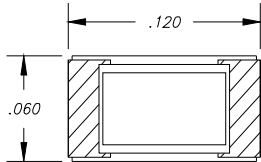
WWW.BARRYIND.COM

RP1206ZZ-XXXXWN-AA*

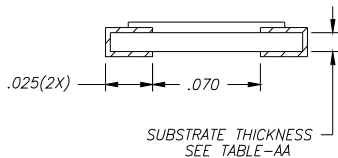
SURFACE MOUNT RESISTOR

Features:

- ◆ BeO, BeO FREE or Alumina Material
- ◆ Wrap around



MOUNTING SURFACE TO HEAT SINK



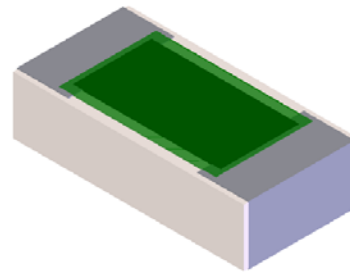
SUBSTRATE THICKNESS SEE TABLE-AA

Dimensions in inches
Tolerance $\pm .005$
unless otherwise stated

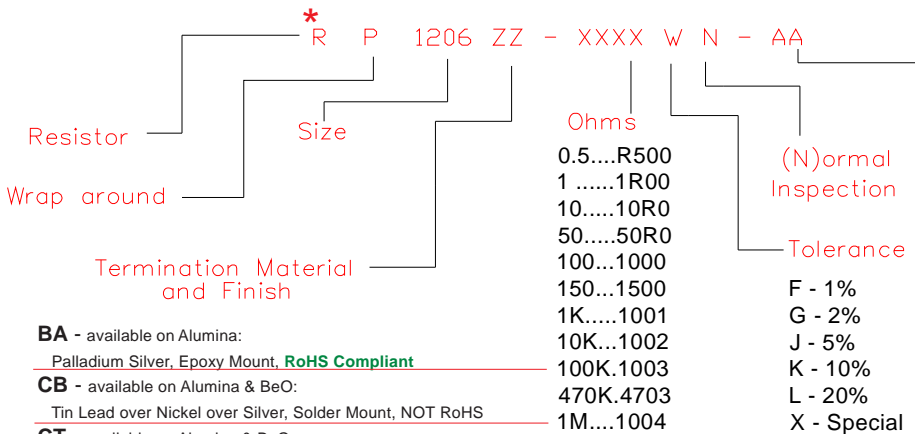
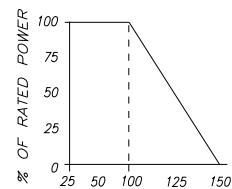
General Description:

The RP1206ZZ-XXXXWN-AA* series is wrap around style chip resistor. It offers a small package design available in BeO, BeO FREE or Alumina.

***See below for ordering options.**



DERATING CURVE:



Thickness and power rating

- 81 - .015" BeO FREE - .70 Watts
- 83 - .025" BeO FREE - .70 Watts
- 84 - .040" BeO FREE - 1.00 Watts
- 91 - .015" Alumina - .50 Watts
- 93 - .025" Alumina - .50 Watts
- 94 - .040" Alumina - 70 Watts
- 96 - .015" BeO - 2.0 Watts
- 98 - .025" BeO - 2.0 Watts
- 99 - .040" BeO - 2.5 Watts

MAX. CONTINUOUS WORKING VOLTAGE 200V

- BA** - available on Alumina:
Palladium Silver, Epoxy Mount, **RoHS Compliant**
- CB** - available on Alumina & BeO:
Tin Lead over Nickel over Silver, Solder Mount, NOT RoHS
- CT** - available on Alumina & BeO:
Matte Tin over Nickel over Silver, Solder Mount, **RoHS Compliant**
- GA** - available on Alumina:
Gold, Epoxy Mount, Wire Bond, **RoHS Compliant**

- Ohms**: 0.5....R500, 1.....1R00, 10.....10R0, 50.....50R0, 100...1000, 150...1500, 1K.....1001, 10K...1002, 470K.4703, 1M....1004
- Tolerance**: F - 1%, G - 2%, J - 5%, K - 10%, L - 20%, X - Special

Barry Industries reserves the right to change part number and or process without notification.

Barry Industries, Inc., 60 Walton St., Attleboro, MA 02703 T: 508-226-3350 F: 508-226-3317 E-mail: sales@barryind.com

Barry is ISO 9001:2000 Certified by



Origination Date	Revision Date	Rev.
04/01/07	08/08/08	B