



RP0702BA-5R00GN-90



WWW.BARRYIND.COM

Alumina

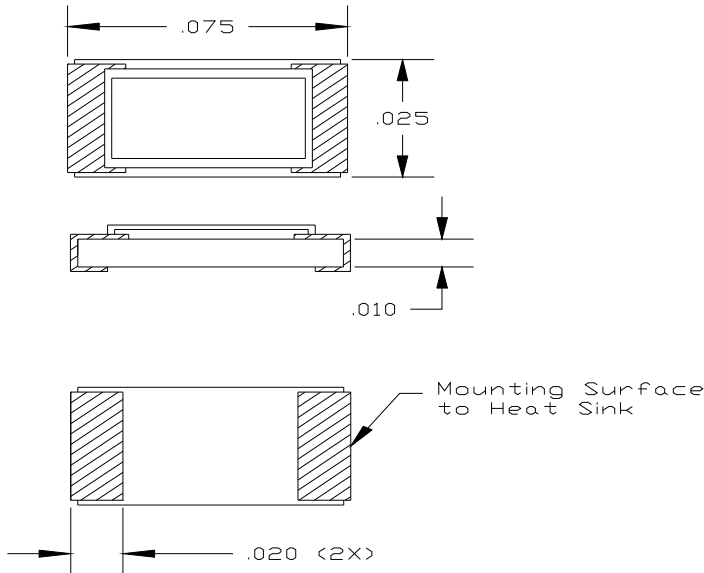
CHIP RESISTOR

Features:

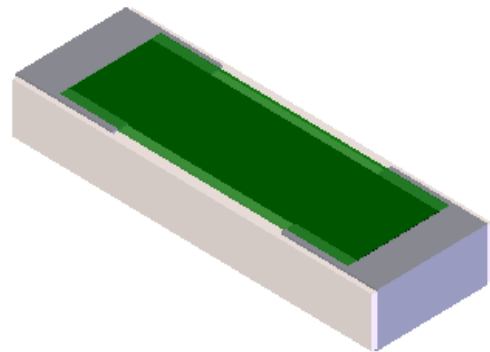
- ◆ Alumina Material
- ◆ Wrap around
- ◆ Palladium Silver

General Description:

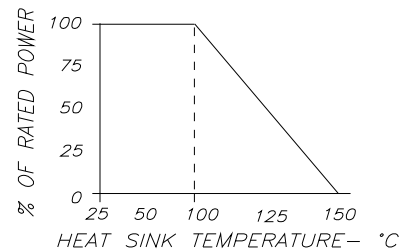
The RP0702BA-5R00GN-90 is a 5 ohm standard wrap around style chip resistor. Its compact size is ideal for miniature electronic components. It offers an input power of .2 watts, while maintaining a constant mounting surface temperature of 100°C. It is epoxy mountable.



Dimensions in inches
Tolerance $\pm .005$
unless otherwise stated



DERATING CURVE:



| Parameter | Min. | Typ. | Max. | Units |
|------------------------------|------|------|------|-------|
| Resistance | 4.9 | 5 | 5.1 | Ohms |
| Input Power | | | .2 | Watts |
| Mounting Surface Temperature | | | 100 | °C |

Barry Industries reserves the right to change part number and or process without notification.

Barry Industries, Inc., 60 Walton St., Attleboro, MA 02703 T: 508-226-3350 F: 508-226-3317 E-mail: sales@barryind.com

Barry is ISO 9001:2000 Certified by



| Origination Date | Revision Date | Rev |
|------------------|---------------|-----|
| 09/23/08 | 09/23/08 | - |