



WWW.BARRYIND.COM

RP0402ZZ-XXXXWN-YY*

Alumina

WRAP AROUND CHIP RESISTOR

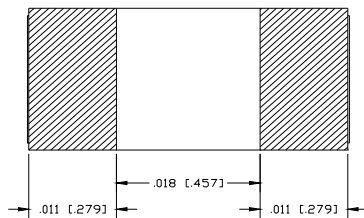
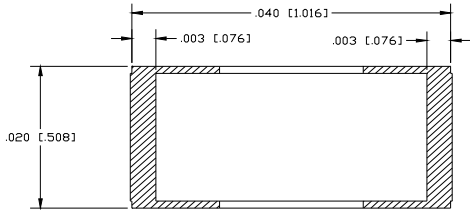
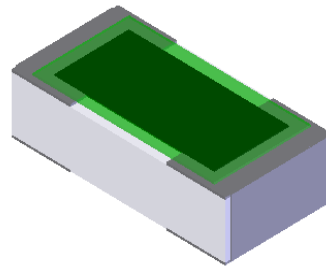
Features:

- ◆ Alumina Material
- ◆ Wrap Around
- ◆ Available in .5 ohm to 1 Mohm

General Description:

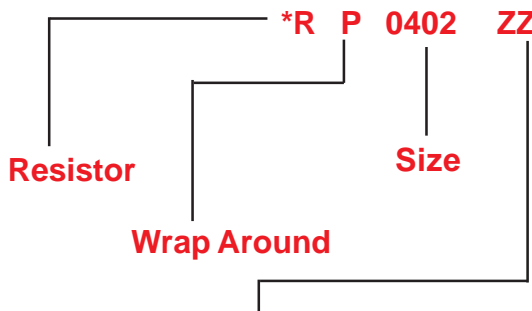
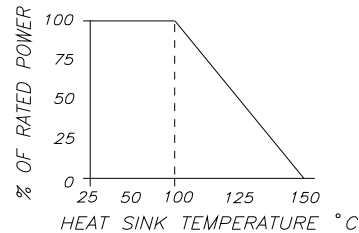
The RP0402ZZ-XXXXWN-YY* series is a wrap around style Alumina chip resistor. It offers a small package design ideal for miniature electronics

* See below for ordering options.



Dimensions in inches [mm]
Tolerance $\pm .005$ [.127]
unless otherwise stated

DERATING CURVE:



Termination Material and Finish

- BA** - Palladium Silver, Epoxy Mount, **RoHS Compliant**
- CB** - Tin Lead over Nickel over Silver, Solder Mount, NOT RoHS
- CT** - Matte Tin over Nickel over Silver, Solder Mount, **RoHS Compliant**
- GA** - Gold, Epoxy Mount, Wire Bond, **RoHS Compliant**

Ohms	Code
0.5	R500
1	1R00
10	10R0
50	50R0
100	1000
150	1500
1K	1001
10K	1002
100K	1003
470K	4703
1M	1004

Tolerance

- F - 1%
- G - 2%
- J - 5%
- K - 10%
- L - 20%
- X = Special

Thickness and Material

- 90 - .010" Alumina (0.1 Watt)
- 91 - .015" Alumina (0.1 Watt)

Barry Industries reserves the right to change part number and or process without notification

Barry Industries, Inc., 60 Walton St., Attleboro, MA 02703 T: 508-226-3350 F: 508-226-3317 E-mail: sales@barryind.com

Barry Industries maintains an ISO 9001 Certified Quality Management System

Origination Date	Revision Date	Rev.
05/29/09	02/08/11	B