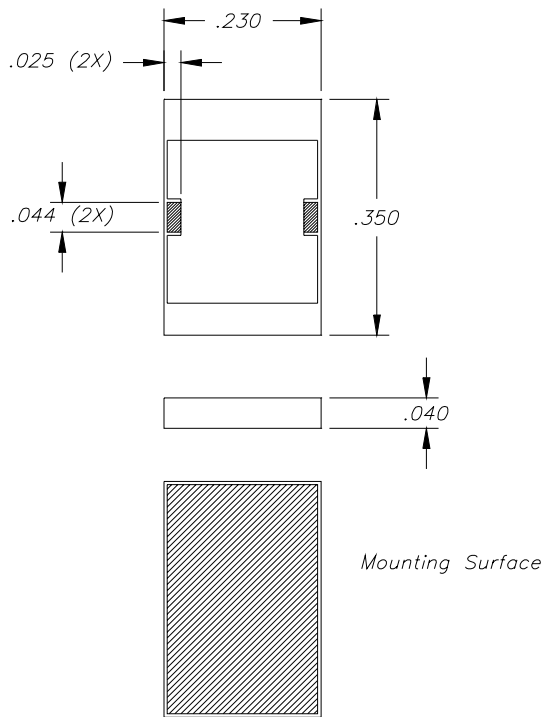


## BeO

## POWER CHIP RESISTOR

### Features:

- ◆ BeO Material
- ◆ 200 Watt Input Power
- ◆ Surface Mountable

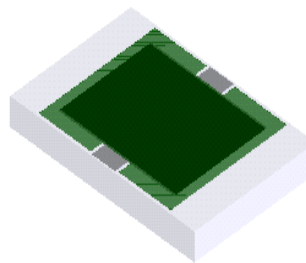


Dimensions in inches  
Tolerance  $\pm .010$   
unless otherwise stated

### General Description:

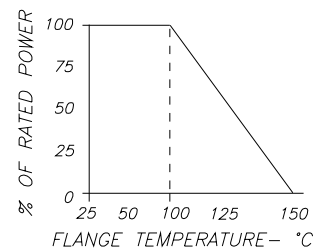
The RM2335CT-XXXX\*GN-99-06 is a BeO power chip resistor. It has an input power of 200 watts max while maintaining a constant heat sink temperature of 100°C. It offers standard resistance values of 50 and 100 Ohms. Other resistance values also available.

\* See below for ordering options.



\*  
XXXX  
Ohms  
0.5...R500  
1.....1R00  
10.....10R0  
50.....50R0  
100...1000  
150...1500  
1K.....1001  
10K...1002  
100K.1003  
470K.4703  
1M....1004

DERATING CURVE:



Sample Part Number:  
RM2335CT-1000GN-99-06  
(100 Ohms)

Parameter	Min.	Typ.	Max.	Units
Input Power			200	Watts
Resistance		+/- 2%		Ohms
Capacitance (at 1 MHz)		2.15		pF
Heat Sink Temperature			100	°C

Barry Industries reserves the right to change part number and or process without notification

Barry Industries, Inc., 60 Walton St., Attleboro, MA 02703 T: 508-226-3350 F: 508-226-3317 E-mail: sales@barryind.com