



WWW.BARRYIND.COM

RM0505ZZ-XXXXWN-AA

BeO or Alumina

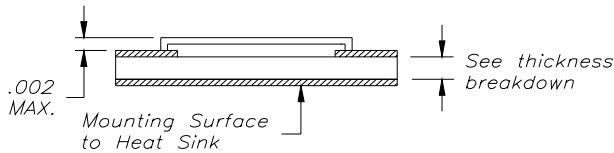
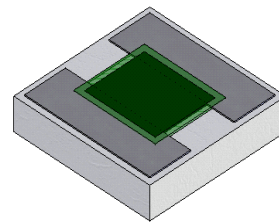
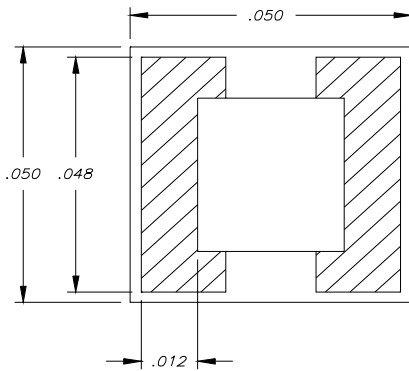
CHIP RESISTOR

Features:

- ◆ BeO or Alumina material
- ◆ Back metallization

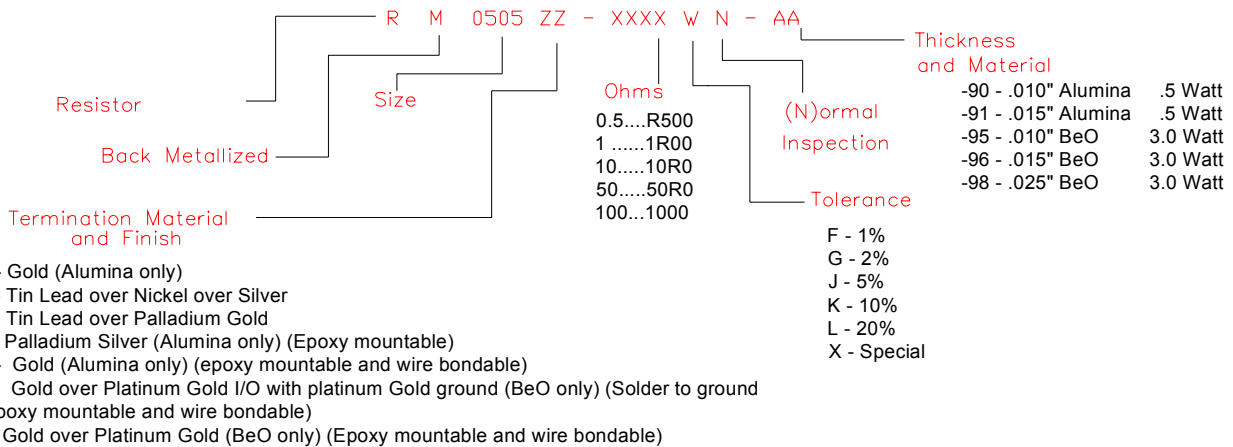
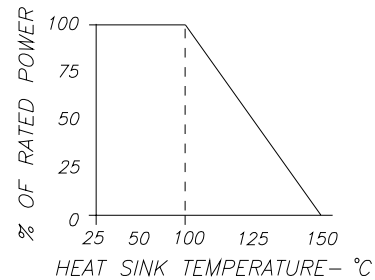
General Description:

The RM0505ZZ-XXXXWN-AA series is a standard chip resistor with back metallization. It offers a small package design available in BeO or Alumina. See below for ordering options.



Dimensions in inches
Tolerance $\pm .005$ unless otherwise stated

DERATING CURVE:



* Barry Industries reserves the right to change part number and or process without notification

Barry Industries, Inc., 60 Walton St., Attleboro, MA 02703 T: 508-226-3350 F: 508-226-3317 E-mail: sales@barryind.com

Barry Industries maintains an ISO 9001 Certified Quality Management System

Origination Date	Revision Date	Rev.
10/23/07	10/23/07	-