

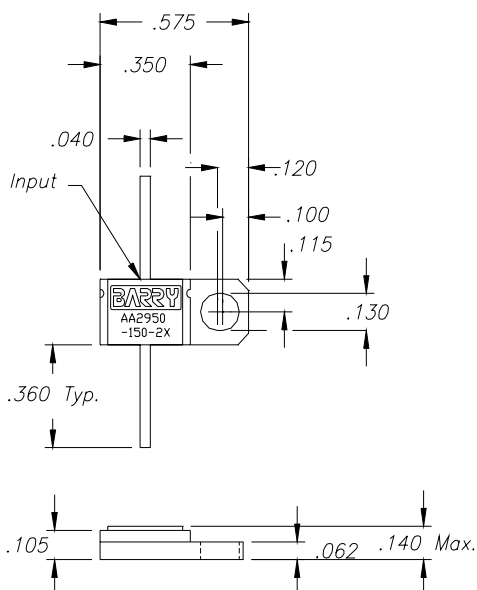
ALUMINUM NITRIDE 29.5 dB FLANGED ATTENUATOR

Features:

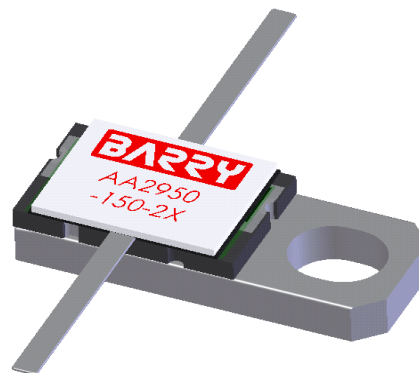
- ◆ ALN material
- ◆ 800 MHz - 2 GHz performance
- ◆ 150 watt input power
- ◆ Flange mount

General Description:

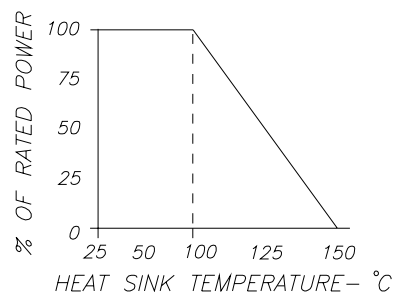
The AA2950-150-2X is a 29.5 dB flanged Aluminum Nitride attenuator. It has an input power of 150 watts, while maintaining a constant flange temperature of 100°C. It offers a frequency range from 800 MHz to 2 GHz.



Dimensions in inches
Tolerance $\pm .010$
unless otherwise stated



DERATING CURVE:



Parameter	Min.	Typ.	Max.	Units
Frequency Range	DC		2	GHz
Attenuation 800 MHz	29		30	dB
1.9 - 2.0 GHz	28.5		29.5	dB
Input Return Loss	18			dB
Output Return Loss	25			dB
Power Dissipation (input)			150	WATTS
Reverse Power (output)			2	WATTS
Heat Sink Temperature			100	°C

* Barry Industries reserves the right to change part number and or process without notification

Barry Industries, Inc., 60 Walton St., Attleboro, MA 02703 T: 508-226-3350 F: 508-226-3317 E-mail: sales@barryind.com

Barry Industries maintains an ISO 9001 Certified Quality Management System