



WWW.BARRYIND.COM

A1300-40-3X



BeO

13 dB

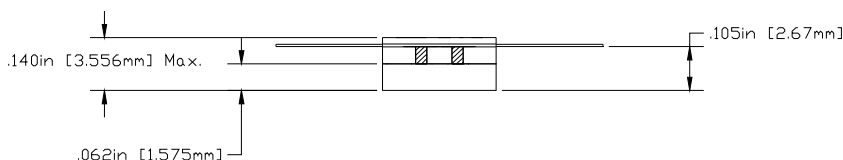
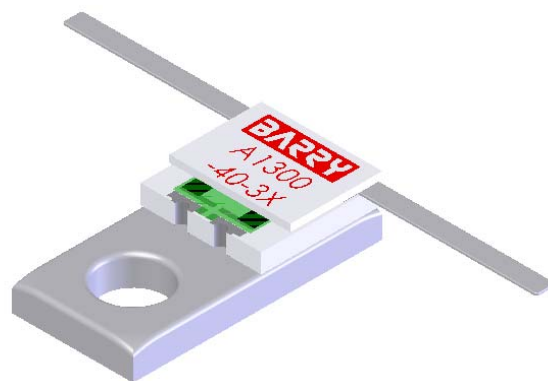
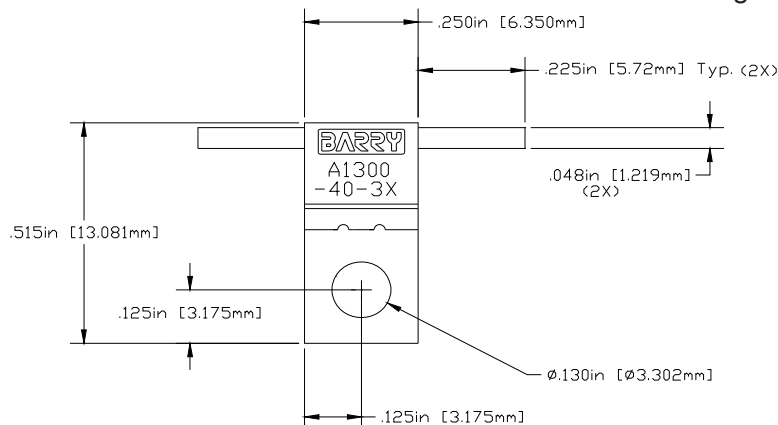
FLANGED ATTENUATOR

Features:

- ◆ BeO Material
- ◆ DC - 3.5 GHz Performance
- ◆ 40 Watt Input Power
- ◆ Flange Mount

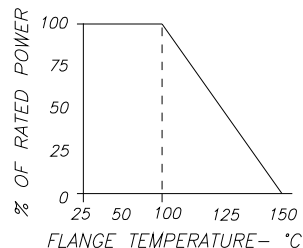
General Description:

The A1300-40-3X is a flanged, 13 dB BeO attenuator. It has an input power of 40 watts, while maintaining a constant flange temperature of 100°C. It offers a frequency range from DC to 3.5 GHz.



Dimensions in inches [mm]
Tolerance $\pm .010$ [.254]
unless otherwise stated
UNIT CAN BE MOUNTED IN EITHER DIRECTION

DERATING CURVE:



Parameter	Min.	Typ.	Max.	Units
Frequency Range	DC		3.5	GHz
Input Return Loss	19			dB
Output Return Loss	19			dB
Input Power			40	Watts
Flange Temperature			100	°C
Attenuation	12	13	14	dB

Barry Industries reserves the right to change part number and or process without notification.

Barry Industries, Inc., 60 Walton St., Attleboro, MA 02703 T: 508-226-3350 F: 508-226-3317 E-mail: sales@barryind.com

Barry is ISO 9001:2000 Certified by



Origination Date	Revision Date	Rev.
07/17/08	10/22/08	A