



WWW.BARRYIND.COM

# A0280-40-3X



**BeO**

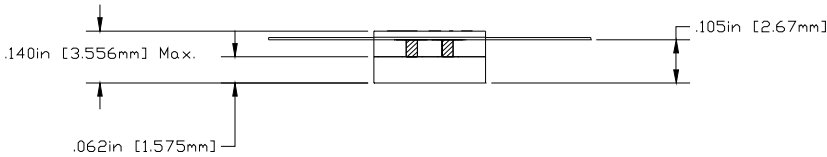
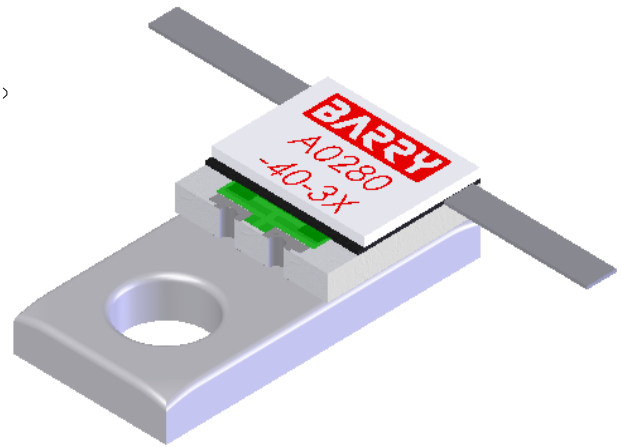
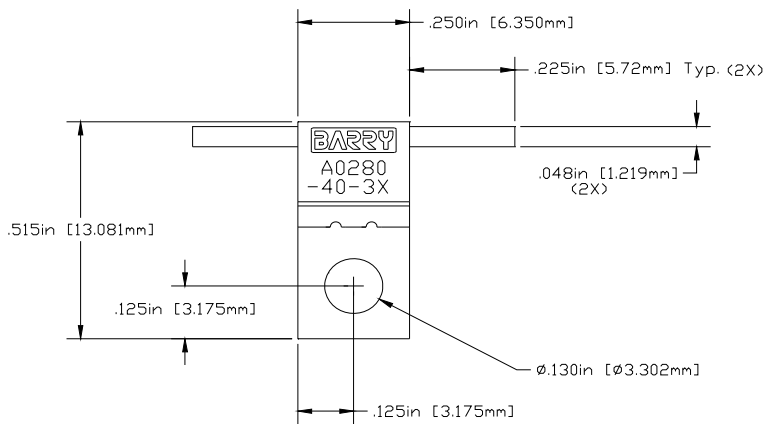
## 2.8 dB FLANGED ATTENUATOR

### Features:

- ◆ BeO Material
- ◆ DC - 3 GHz Performance
- ◆ 40 Watt Input Power
- ◆ Flange Mount

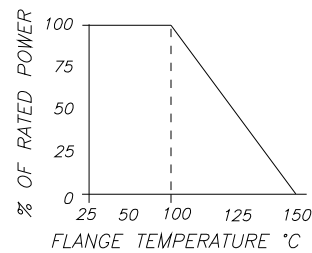
### General Description:

The A0280-40-3X is a 2.8 dB BeO flanged attenuator. It has an input power of 40 watts, while maintaining a flange temperature of 100°C. It offers a frequency range from DC to 3 GHz.



Dimensions in inches [mm]  
Tolerance  $\pm .010$  [.254]  
unless otherwise stated  
**UNIT CAN BE MOUNTED IN EITHER DIRECTION**

DERATING CURVE:



Parameter	Min.	Typ.	Max.	Units
Frequency Range	DC		3	GHz
Input Return Loss	18			dB
Output Return Loss	18			dB
Input Power			40	Watts
Flange Temperature			100	°C
Attenuation	2.3	2.8	3.3	dB

**Barry Industries reserves the right to change part number and or process without notification.**

Barry Industries, Inc., 60 Walton St., Attleboro, MA 02703 T: 508-226-3350 F: 508-226-3317 E-mail: sales@barryind.com

Barry Industries maintains an ISO 9001 Certified Quality Management System

Origination Date	Revision Date	Rev.
10/13/08	10/22/08	B