

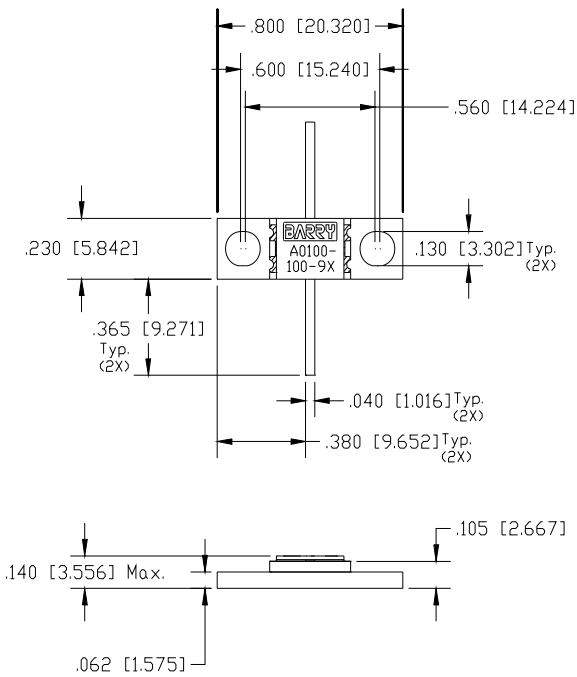
BeO 1 dB FLANGED ATTENUATOR

Features:

- ◆ BeO Material
- ◆ DC - 4 GHz Performance
- ◆ 100 Watt Input Power
- ◆ Flange Mount

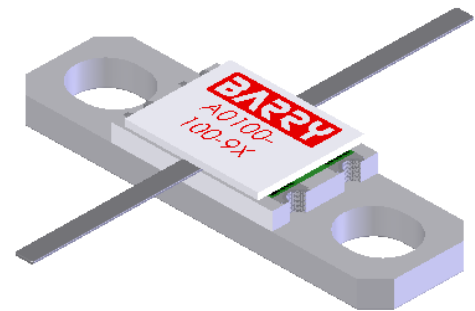
General Description:

The A0100-100-9X is a flanged 1dB BeO attenuator. It has an input power of 100 watts, while maintaining a constant flange temperature of 100°C. It offers a frequency range from DC to 4 GHz.

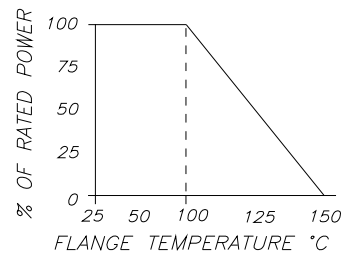


Dimensions in inches [mm]
Tolerance ± .010 [.254]
unless otherwise stated

UNIT CAN BE MOUNTED
IN EITHER DIRECTION



DERATING CURVE:



Parameter	Min.	Typ.	Max.	Units
Frequency Range	DC		4	GHz
Input Return Loss	20			dB
Output Return Loss	20			dB
Attenuation		1	2	dB
Input Power			100	Watts
Flange Temperature			100	°C

Barry Industries reserves the right to change part number and or process without notification.

Barry Industries, Inc., 60 Walton St., Attleboro, MA 02703 T: 508-226-3350 F: 508-226-3317 E-mail: sales@barryind.com

Barry Industries maintains an ISO 9001 Certified Quality Management System

Origination Date	Revision Date	Rev.
06/26/08	01/26/09	A