

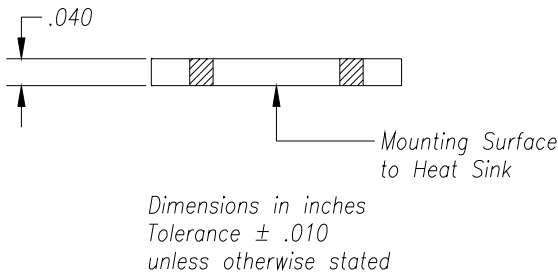
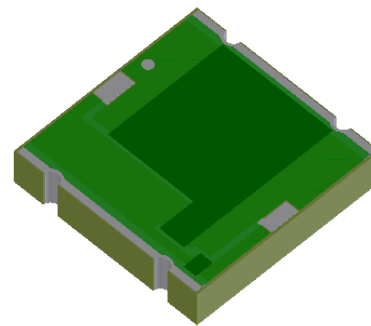
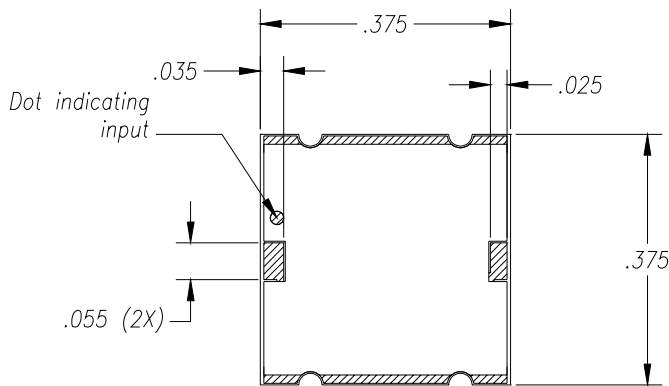
Aluminum Nitride 30 dB CHIP ATTENUATOR

Features:

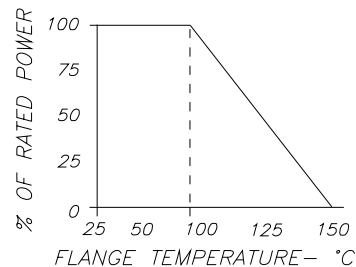
- ◆ Aluminum Nitride Material
- ◆ DC - 2 GHz Performance
- ◆ 250 Watt Input Power
- ◆ CT - Matte Tin over Nickel over Silver
- ◆ Solder Mountable

General Description:

The AVC3737CT-3000JN-2T-02 is a 30 dB, Aluminum Nitride chip attenuator. It has an input power of 250 watts, while maintaining a constant mounting surface temperature of 100°C. It offers a frequency range from DC to 2 GHz.



DERATING CURVE:



| Parameter | Min. | Typ. | Max. | Units |
|------------------------------|------|------|------|-------|
| Frequency Range | DC | | 2 | GHz |
| Input Power | | | 250 | Watts |
| Input Return Loss | 14 | | | dB |
| Output Return Loss | 17.5 | | | dB |
| Mounting Surface Temperature | | | 100 | °C |
| Attenuation | 28.8 | 30 | 31.2 | dB |

Barry Industries reserves the right to change part number and or process without notification.

Barry Industries, Inc., 60 Walton St., Attleboro, MA 02703 T: 508-226-3350 F: 508-226-3317 E-mail: sales@barryind.com

Barry is ISO 9001:2000 Certified by



| Origination Date | Revision Date | Rev. |
|------------------|---------------|------|
| 05/27/08 | 05/27/08 | - |