



WWW.BARRYIND.COM

AVC2525CT-0500JN-2T-07



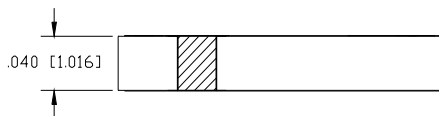
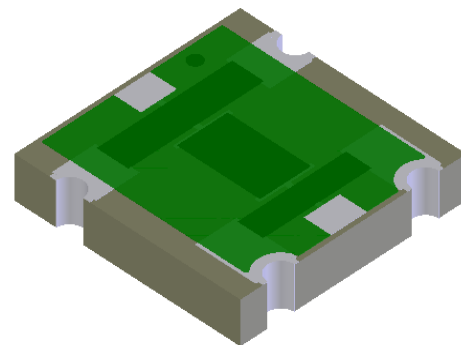
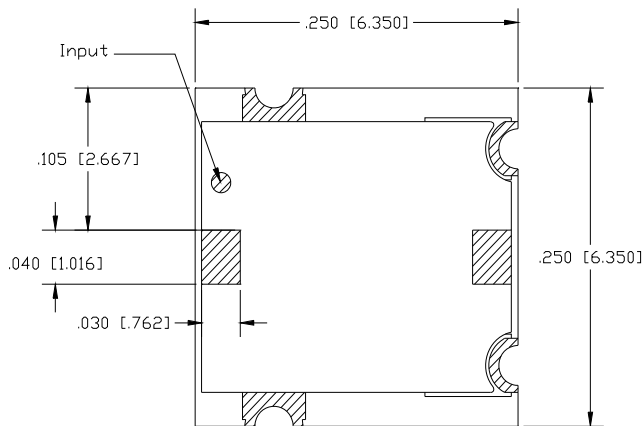
Aluminum Nitride 5 dB CHIP ATTENUATOR

Features:

- ◆ Aluminum Nitride Material
- ◆ DC - 5 GHz Performance
- ◆ 100 Watt Input Power
- ◆ CT - Matte Tin over Nickel over Silver
- ◆ Solder Mountable

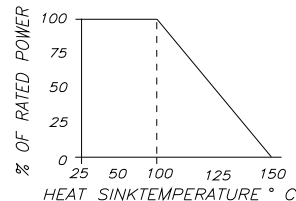
General Description:

The AVC2525CT-0500JN-2T-07 is a 5 dB, Aluminum Nitride chip attenuator. It has an input power of 100 watts, while maintaining a constant mounting surface temperature of 100°C. It offers a frequency range from DC to 5 GHz.



Dimensions in inches [mm]
Tolerance $\pm .005$ [.127]
unless otherwise stated

DERATING CURVE:



| Parameter | Min. | Typ. | Max | Units |
|------------------------------|------|------|-----|-------|
| Frequency Range | DC | | 5 | GHz |
| Attenuation | 4.5 | 5 | 5.5 | dB |
| Input Return Loss | 19 | | | dB |
| Output Return Loss | 19 | | | dB |
| Input Power | | | 100 | Watts |
| Mounting Surface Temperature | | | 100 | °C |

Barry Industries reserves the right to change part number and or process without notification.

Barry Industries, Inc., 60 Walton St., Attleboro, MA 02703 T: 508-226-3350 F: 508-226-3317 E-mail: sales@barryind.com

Barry is ISO 9001:2000 Certified by



| Origination Date | Revision Date | Rev. |
|------------------|---------------|------|
| 09/17/04 | 01/15/09 | D |