



WWW.BARRYIND.COM

ATC2010CT-0100JN-93



Alumina

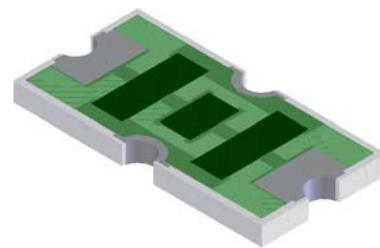
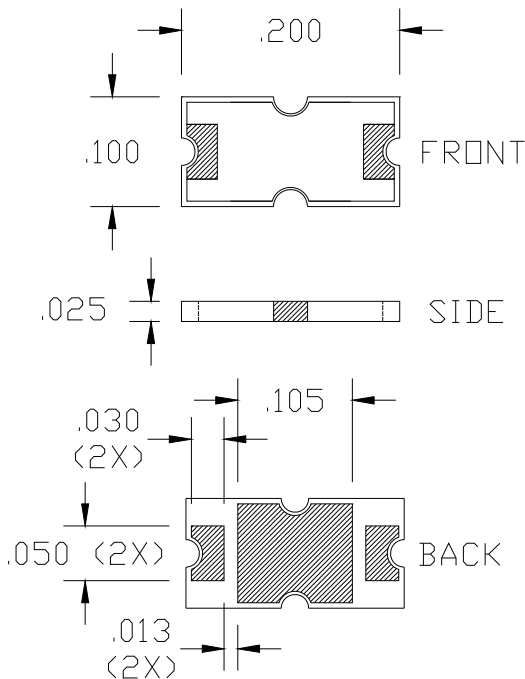
1 dB CHIP ATTENUATOR

Features:

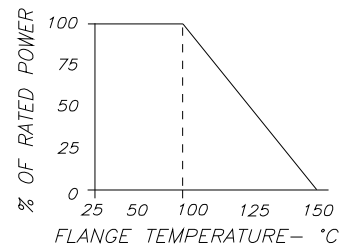
- ◆ Alumina Material
- ◆ DC - 3 GHz Performance
- ◆ 5 Watt Input Power
- ◆ CT = Matte Tin over Nickel over Silver
- ◆ Solder Mountable

General Description:

The ATC2010CT-0100JN-93 is a 1 dB Alumina chip attenuator. It has an input power of 5 watts, while maintaining a constant mounting surface temperature of 100°C. It offers a frequency range from DC to 3 GHz.



DERATING CURVE:



Dimension in inches
Tolerance $\pm .010$

Parameter	Min.	Typ.	Max	Units
Frequency Range	DC		3	GHz
Attenuation		1	2	dB
Input Return Loss	20			dB
Output Return Loss	20			dB
Input Power			5	Watts
Mounting Surface Temperature			100	°C

Barry Industries reserves the right to change part number and or process without notification.

Barry Industries, Inc., 60 Walton St., Attleboro, MA 02703 T: 508-226-3350 F: 508-226-3317 E-mail: sales@barryind.com

Barry is ISO 9001:2000 Certified by



Origination Date	Revision Date	Rev.
07/23/07	08/05/08	A