



WWW.BARRYIND.COM

# AS0706CT-XXXXJN-90

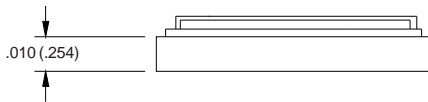
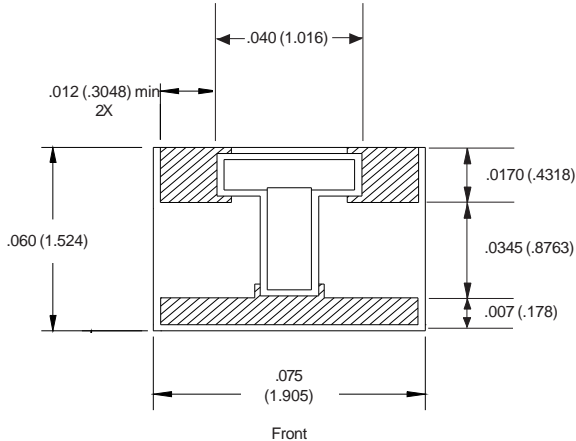


## ALUMINA

## FLIP CHIP ATTENUATOR

### Features:

- ◆ .010" Alumina
- ◆ 1 Watt Input Power
- ◆ CT = Matte Tin over Nickel over Silver
- ◆ Solder Mountable



Dimensions in inches [mm]  
Tolerance  $\pm .005$  [.127]  
unless otherwise stated

### General Description:

The AS0706CT-XXXXJN-90\* is a flip chip attenuator with available attenuation values from 0.5 dB to 32 dB. (See below for ordering). It has an input power rating of 1 watt, while maintaining a constant mounting surface temperature of 70°C max. It offers a frequency range from DC - 18 GHz.

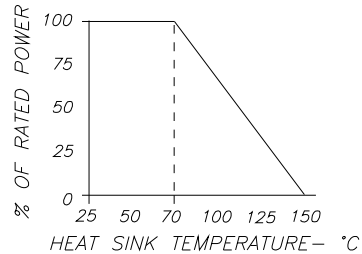
\*XXXX = Value in Decibels

- 1.....0100
- 2.....0200
- 3.....0300

Sample part number:

AS0706CT-0300JN-90 = 3.0dB

DERATING CURVE:



| Parameter                    | Min. | Typ. | Max. | Units |
|------------------------------|------|------|------|-------|
| Frequency Range              | DC   |      | 18   | GHz   |
| Input Return Loss            | 14   |      |      | dB    |
| Output Return Loss           | 14   |      |      | dB    |
| Input Power                  |      |      | 1    | W     |
| Mounting Surface Temperature |      |      | 70   | °C    |

Barry Industries reserves the right to change part number and or process without notification.

Barry Industries, Inc., 60 Walton St., Attleboro, MA 02703 T: 508-226-3350 F: 508-226-3317 E-mail: sales@barryind.com

Barry Industries maintains an ISO 9001 Certified Quality Management System

| Origination Date | Revision Date | Rev. |
|------------------|---------------|------|
| 08/03/09         | 04/13/10      | A    |