



WWW.BARRYIND.COM

AP1612CB-XXXXJN-94

ALUMINA

CHIP ATTENUATOR

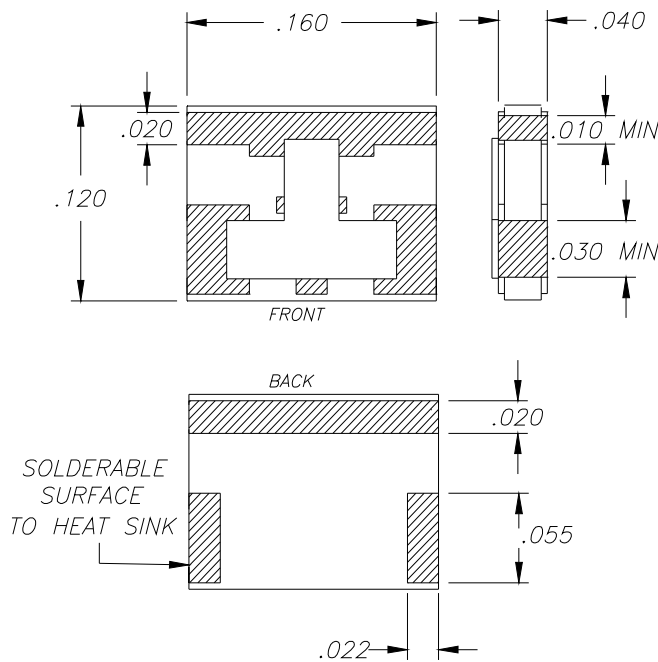
Features:

- ◆ .040" Alumina
- ◆ .25 Watt Power Rating
- ◆ CB = Tin/Lead over Nickel over Silver



General Description:

The AP1612CB-XXXX*JN-94 is a solder mountable chip attenuator with a variety of attenuation values. See below for ordering. It offers a frequency range from DC to 2 GHz and a power rating of .25 Watts while maintaining a constant heat sink temperature of 100°C max.



*XXXX = Value in Decibels

1.....0100

2.5.....0250

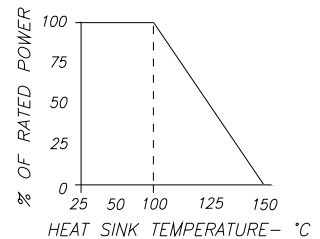
12.....1200

18.5....1850

Sample part number:

AP1612CB-0250JN-94 = 2.5dB

DERATING CURVE:



Parameter	Min.	Typ.	Max.	Units
Frequency Range	DC		2	GHz
Input Return Loss	20			dB
Output Return Loss	20			dB
Input Power			.25	Watts
Mounting Surface Temperature			100 150 (0% Power)	°C

Barry Industries reserves the right to change part number and or process without notification.

Barry Industries, Inc., 60 Walton St., Attleboro, MA 02703 T: 508-226-3350 F: 508-226-3317 E-mail: sales@barryind.com

Barry Industries maintains an ISO 9001 Certified Quality Management System

Origination Date	Revision Date	Rev.
07/19/06	06/06/11	A