



WWW.BARRYIND.COM

# ABC2335CT-0600JN-99



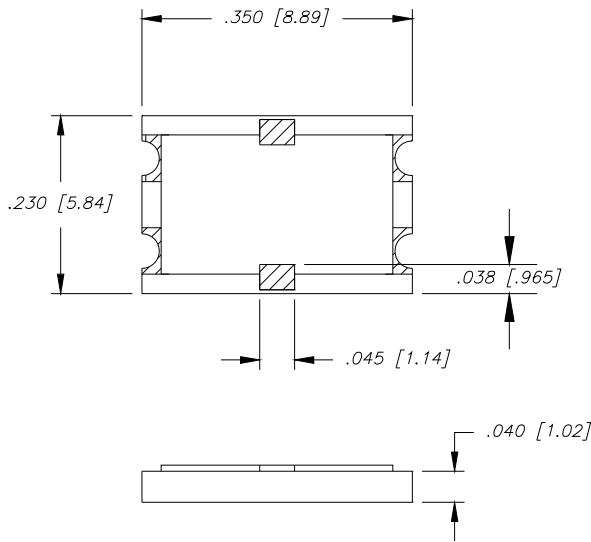
## BeO 6 dB CHIP ATTENUATOR

### Features:

- ◆ BeO Material
- ◆ DC - 6 GHz Performance
- ◆ 150 Watt Input Power
- ◆ CT - Matte Tin over Nickel over Silver
- ◆ Solder Mountable

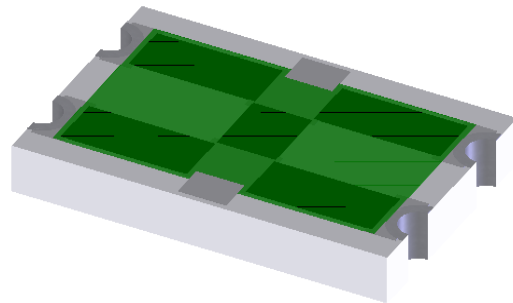
### General Description:

The ABC2335CT-0600JN-99 is a 6 dB, BeO chip attenuator. It has an input power of 150 watts, while maintaining a constant mounting surface temperature of 100°C. It offers a frequency range from DC to 6 GHz.

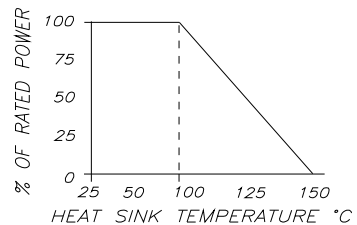


Dimensions in inches  
Tolerance  $\pm .005$  [.127]  
unless otherwise stated

UNIT CAN BE MOUNTED  
IN EITHER DIRECTION



DERATING CURVE:



Parameter	Min.	Typ.	Max.	Units
Frequency Range	DC		6	GHz
Input Power			150	Watts
Input Return Loss	17			dB
Output Return Loss	17			dB
Mounting Surface Temperature			100	°C
Attenuation		6	7	dB

Barry Industries reserves the right to change part number and or process without notification.

Barry Industries, Inc., 60 Walton St., Attleboro, MA 02703 T: 508-226-3350 F: 508-226-3317 E-mail: sales@barryind.com

Barry Industries maintains an ISO 9001 Certified Quality Management System

Origination Date	Revision Date	Rev.
01/29/09	01/29/09	-