



WWW.BARRYIND.COM

ABC2335CT-0100GN-99



BeO

1 dB

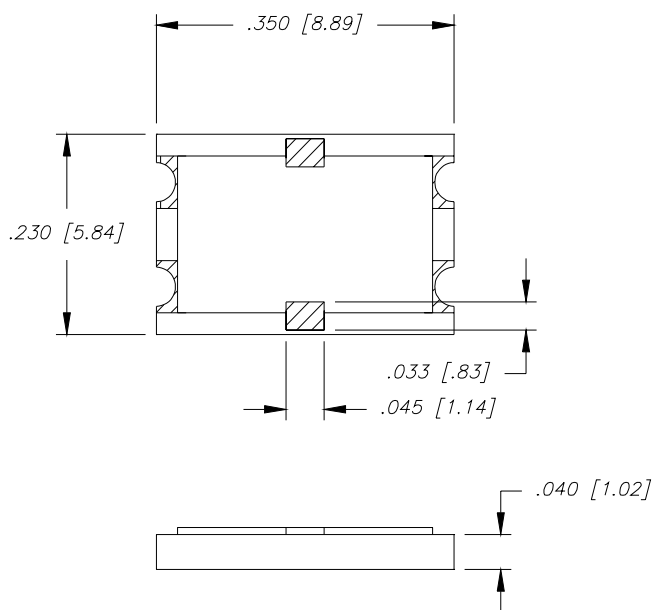
CHIP ATTENUATOR

Features:

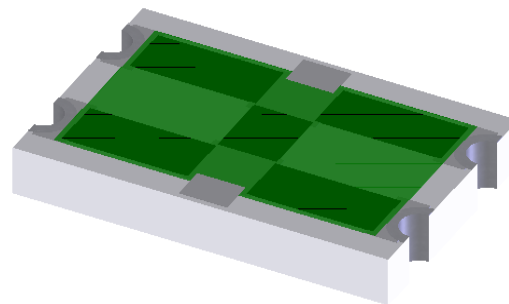
- ◆ BeO Material
- ◆ DC - 4 GHz Performance
- ◆ 150 Watt Input Power
- ◆ CT - Matte Tin over Nickel over Silver
- ◆ Solder Mountable

General Description:

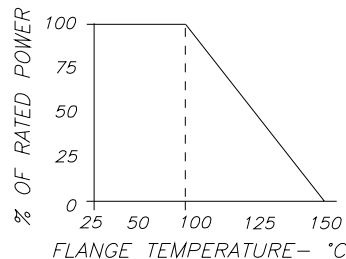
The ABC2335CT-0100GN-99 is a 1 dB, BeO chip attenuator. It has an input power of 150 watts, while maintaining a constant mounting surface temperature of 100°C. It offers a frequency range from DC to 4 GHz.



Dimensions in inches
Tolerance $\pm .010$
unless otherwise stated



DERATING CURVE:



| Parameter | Min. | Typ. | Max. | Units |
|------------------------------|------|------|------|-------|
| Frequency Range | DC | | 4 | GHz |
| Input Power | | | 150 | Watts |
| Input Return Loss | 20 | | | dB |
| Output Return Loss | 20 | | | dB |
| Mounting Surface Temperature | | | 100 | °C |
| Attenuation | | 1 | 2 | dB |

Barry Industries reserves the right to change part number and or process without notification.

Barry Industries, Inc., 60 Walton St., Attleboro, MA 02703 T: 508-226-3350 F: 508-226-3317 E-mail: sales@barryind.com

Barry is ISO 9001:2000 Certified by



| Origination Date | Revision Date | Rev. |
|------------------|---------------|------|
| 07/17/08 | 07/17/08 | - |