



WWW.BARRYIND.COM

ABC2010CT-3000JN-83-05



BeO FREE™

30 dB

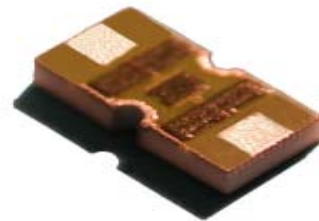
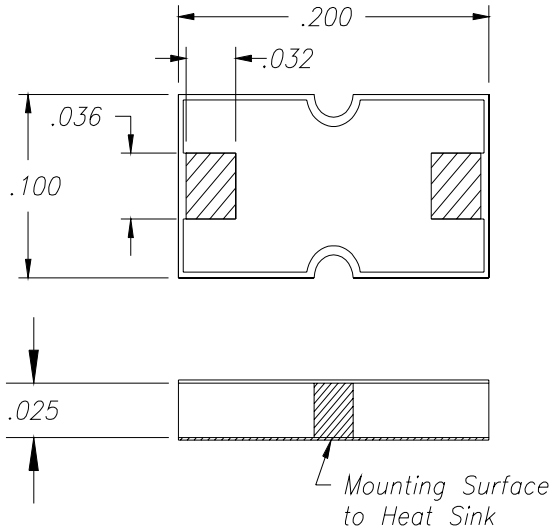
ATTENUATOR

Features:

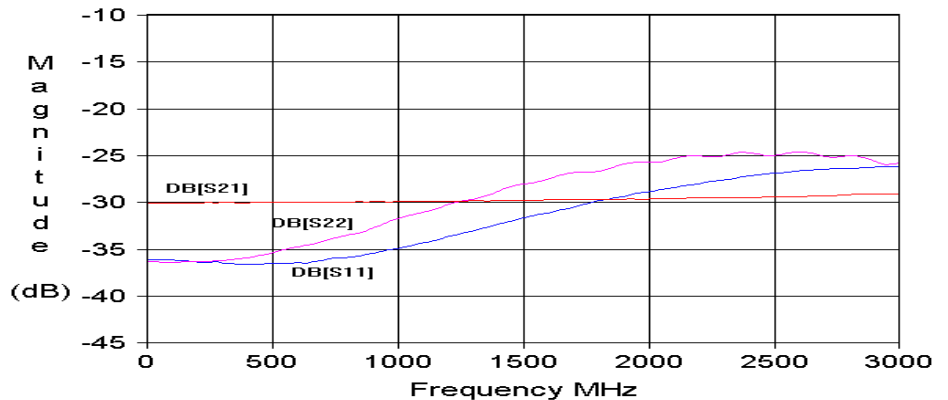
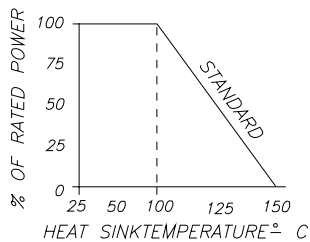
- ◆ BeO FREE™
- ◆ DC to 2.5 GHz
- ◆ 5 Watt Power Rating

General Description:

The ABC2010CT-3000JN-83-05 is a 30 dB BeO FREE™ attenuator with a frequency range from DC to 2.5 GHz. It has a power rating of 5 Watts while maintaining a heat sink temperature of 100°C and is solder mountable.



DERATING CURVE:



Parameter	Min.	Typ.	Max	Units
Frequency Range	DC		2.5	GHZ
Attenuation	29	30	31	dB
Input Return Loss	23			dB
Output Return Loss	23			dB
Power Dissipation			5	Watts
Heat Sink Temperature			100	°C

* Barry Industries reserves the right to change part number and or process without notification

Barry Industries, Inc., 60 Walton St., Attleboro, MA 02703 T: 508-226-3350 F: 508-226-3317 E-mail: sales@barryind.com

Barry Industries maintains an ISO 9001 Certified Quality Management System

Origination Date	Revision Date	Rev.
5/23/05	04/10/06	A