

Alumina

21 dB

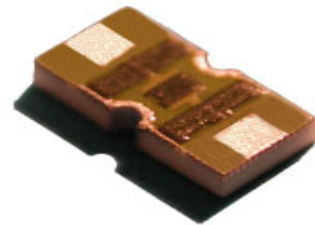
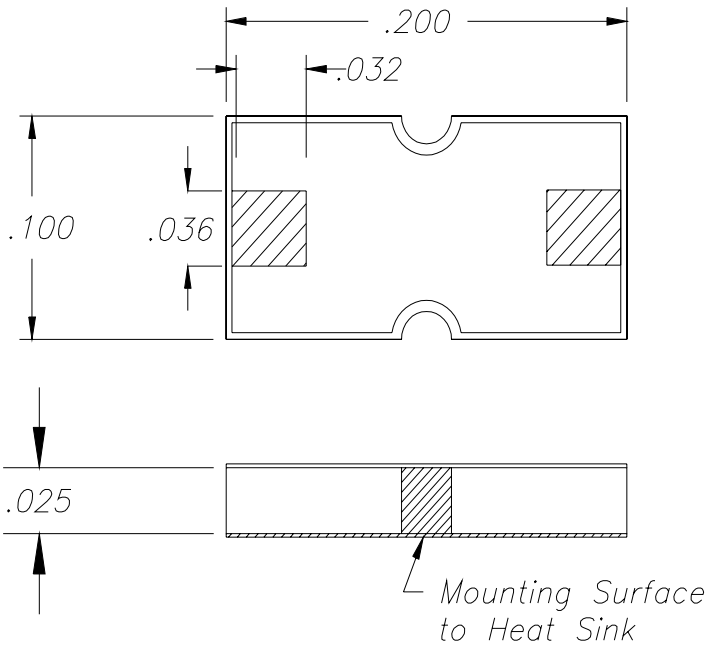
ATTENUATOR

Features:

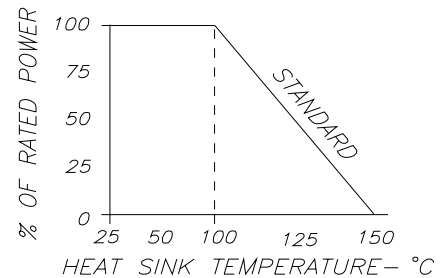
- ◆ Alumina
- ◆ DC to 5 GHz
- ◆ 5 Watt Input Power

General Description:

The ABC2010CT-2100JN-93 -05 is a 21 dB Alumina chip attenuator with a frequency range from DC to 5 GHz. It has an input power of 5 Watts while maintaining a heat sink temperature of 100°C and is solder mountable.



DERATING CURVE:



Parameter	Min.	Typ.	Max	Units
Frequency Range	DC		5	GHz
Attenuation	20	21	22	dB
Input Return Loss	23			dB
Output Return Loss	23			dB
Input Power			5	Watts
Mounting Surface Temperature			100	°C

* Barry Industries reserves the right to change part number and or process without notification

Barry Industries, Inc., 60 Walton St., Attleboro, MA 02703 T: 508-226-3350 F: 508-226-3317 E-mail: sales@barryind.com

Barry Industries maintains an ISO 9001 Certified Quality Management System

Origination Date	Revision Date	Rev.
01/30/07	01/30/07	-