

BeO FREE™

20dB

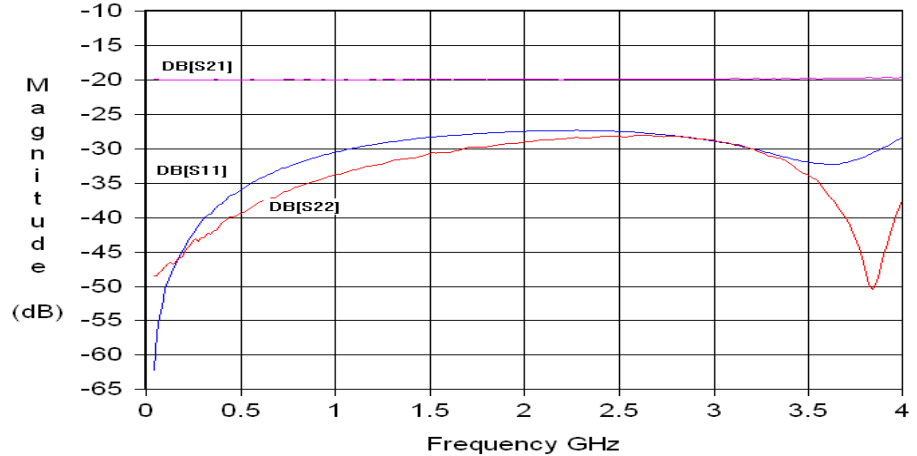
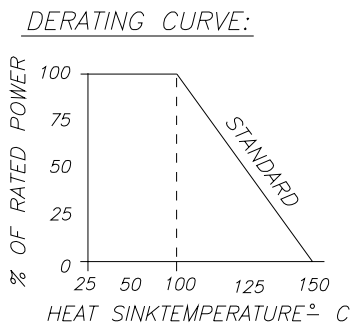
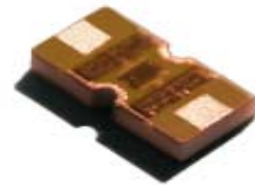
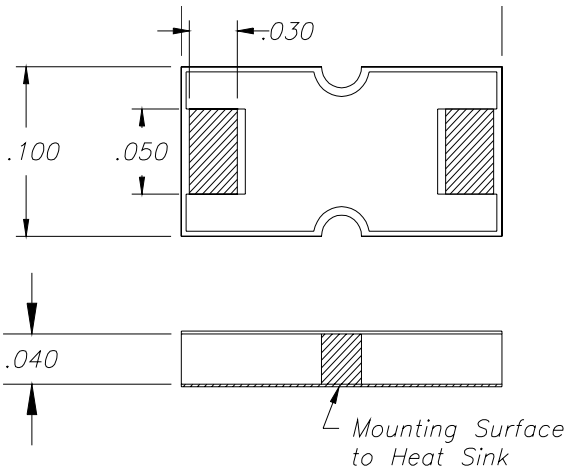
ATTENUATOR

Features:

- ◆ BeO FREE™
- ◆ DC to 4 GHz
- ◆ 5 Watt Power Rating

General Description:

The ABC2010CT-2000JN-84-03 is a 20 dB BeO FREE™ attenuator with a frequency range from DC to 4 GHz. It has a power rating of 5 Watts while maintaining a heat sink temperature of 100°C and is solder mountable.



Parameter	Min.	Typ.	Max	Units
Frequency Range	DC		4	GHz
Attenuation	19.5	20	20.5	dB
Input Return Loss	25			dB
Output Return Loss	25			dB
Power Dissipation			5	Watts
Heat Sink Temperature			100	°C

* Barry Industries reserves the right to change part number and or process without notification

Barry Industries, Inc., 60 Walton St., Attleboro, MA 02703 T: 508-226-3350 F: 508-226-3317 E-mail: sales@barryind.com

Barry Industries maintains an ISO 9001 Certified Quality Management System

Date	Rev.
02/27/06	A