

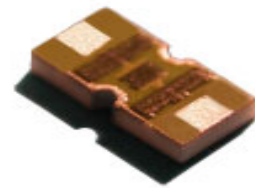
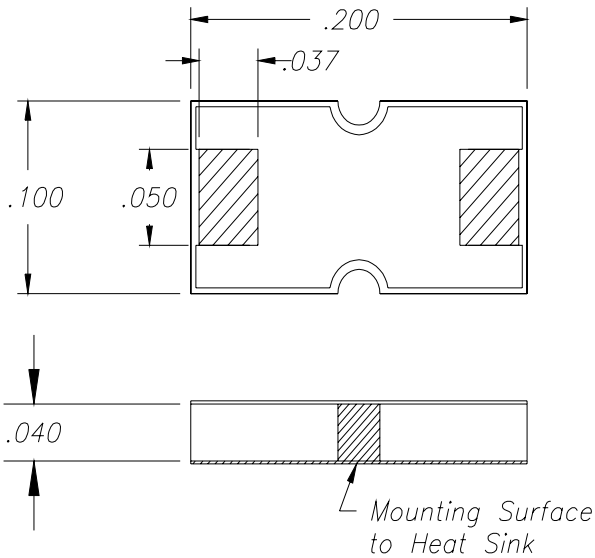
BeO FREE™      15 dB      ATTENUATOR

**Features:**

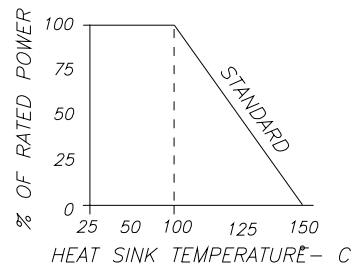
- ◆ BeO FREE™
- ◆ DC to 4 GHz
- ◆ 5 Watt Power Rating

**General Description:**

The ABC2010CT-1500JN-84-03 is a 15 dB BeO FREE™ attenuator with a frequency range from DC to 4 GHz. It has a power rating of 5 Watts while maintaining a heat sink temperature of 100°C and is solder mountable.



DERATING CURVE:



Parameter	Min.	Typ.	Max	Units
Frequency Range	DC		4	GHz
Attenuation	14	15	16	dB
Input Return Loss	20			dB
Output Return Loss	20			dB
Power Dissipation			5	Watts
Heat Sink Temperature			100	°C

\* Barry Industries reserves the right to change part number and or process without notification

Barry Industries, Inc., 60 Walton St., Attleboro, MA 02703 T: 508-226-3350 F: 508-226-3317 E-mail: sales@barryind.com  
Barry Industries maintains an ISO 9001 Certified Quality Management System

Origination Date	Revision Date	Rev.
02/07/07	02/07/07	-