

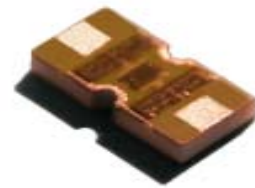
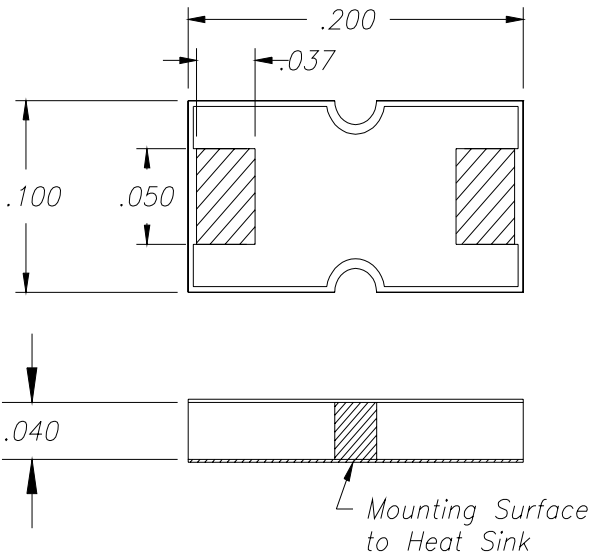
BeO Free 10 dB CHIP ATTENUATOR

Features:

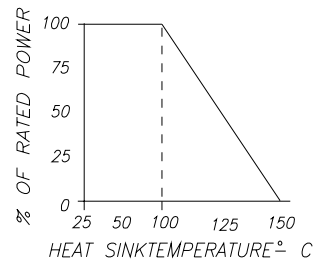
- ◆ BeO Free Material
- ◆ DC to 4 GHz Performance
- ◆ 5 Watt Input Power
- ◆ Solder Mountable

General Description:

The ABC2010CT-1000JN-84-03 is a 10 dB BeO Free chip attenuator. It has an input power of 5 watts, while maintaining a constant mounting surface temperature of 100°C. It offers a frequency range from DC to 4 GHz.



DERATING CURVE:



Parameter	Min.	Typ.	Max	Units
Frequency Range	DC		4	GHz
Attenuation	9	10	11	dB
Input Return Loss	17			dB
Output Return Loss	17			dB
Input Power			5	Watts
Heat Sink Temperature			100	°C

Barry Industries reserves the right to change part number and or process without notification.

Barry Industries, Inc., 60 Walton St., Attleboro, MA 02703 T: 508-226-3350 F: 508-226-3317 E-mail: sales@barryind.com

Barry is ISO 9001:2000 Certified by



Origination Date	Revision Date	Rev.
09/07/06	05/07/08	B