

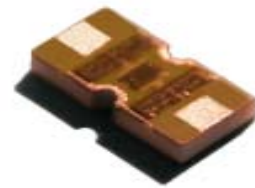
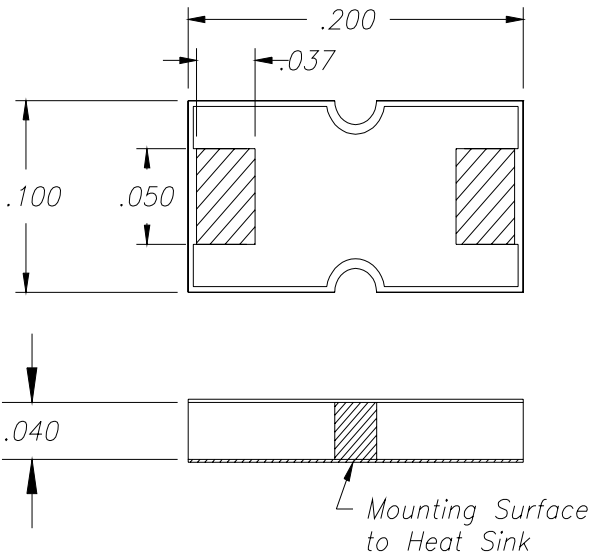
BeO Free 10 dB CHIP ATTENUATOR

Features:

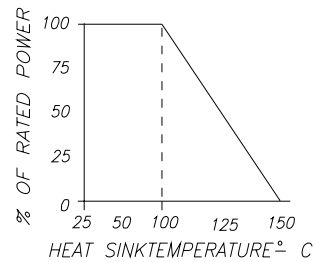
- ◆ BeO Free Material
- ◆ DC to 4 GHz Performance
- ◆ 5 Watt Input Power
- ◆ Solder Mountable

General Description:

The ABC2010CT-1000JN-84-03 is a 10 dB BeO Free chip attenuator. It has an input power of 5 watts, while maintaining a constant mounting surface temperature of 100°C. It offers a frequency range from DC to 4 GHz.



DERATING CURVE:



| Parameter | Min. | Typ. | Max | Units |
|-----------------------|------|------|-----|-------|
| Frequency Range | DC | | 4 | GHz |
| Attenuation | 9 | 10 | 11 | dB |
| Input Return Loss | 17 | | | dB |
| Output Return Loss | 17 | | | dB |
| Input Power | | | 5 | Watts |
| Heat Sink Temperature | | | 100 | °C |

Barry Industries reserves the right to change part number and or process without notification.

Barry Industries, Inc., 60 Walton St., Attleboro, MA 02703 T: 508-226-3350 F: 508-226-3317 E-mail: sales@barryind.com
 Barry Industries maintains an ISO 9001 Certified Quality Management System

| Origination Date | Revision Date | Rev. |
|------------------|---------------|------|
| 09/07/06 | 05/07/08 | B |