



WWW.BARRYIND.COM

ABC2010CT-0300JN-84-03



BeO FREE

3 dB

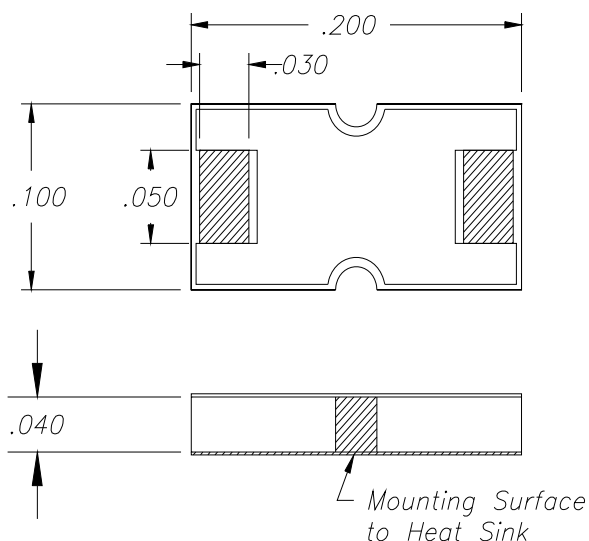
CHIP ATTENUATOR

Features:

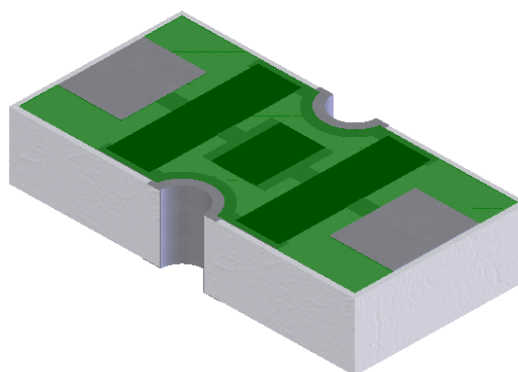
- ◆ BeO FREE Material
- ◆ DC to 4 GHz Performance
- ◆ 5 Watt Input Power
- ◆ CT - Matte Tin over Nickel over Silver

General Description:

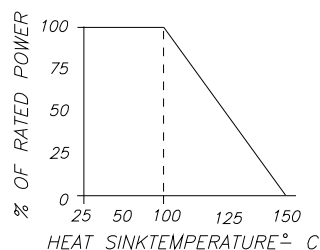
The ABC2010CT-0300JN-84-03 is a 3 dB BeO FREE chip attenuator with a frequency range from DC to 4 GHz. It has an input power of 5 watts, while maintaining a mounting surface temperature of 100°C and is solder mountable.



Dimensions in inches
Tolerance $\pm .010$
unless otherwise stated



DERATING CURVE:



Parameter	Min.	Typ.	Max	Units
Frequency Range	DC		4	GHz
Attenuation	2	3	4	dB
Input Return Loss	15			dB
Output Return Loss	15			dB
Input Power			5	Watts
Mounting Surface Temperature			100	°C

Barry Industries reserves the right to change part number and or process without notification.

Barry Industries, Inc., 60 Walton St., Attleboro, MA 02703 T: 508-226-3350 F: 508-226-3317 E-mail: sales@barryind.com
Barry Industries maintains an ISO 9001 Certified Quality Management System

Origination Date	Revision Date	Rev.
06/12/07	12/22/08	E