



WWW.BARRYIND.COM

ABC2010CT-0200JN-84-03



BeO FREE

2 dB

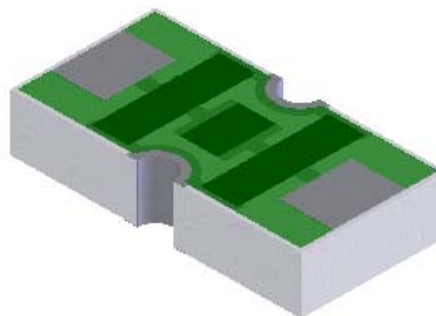
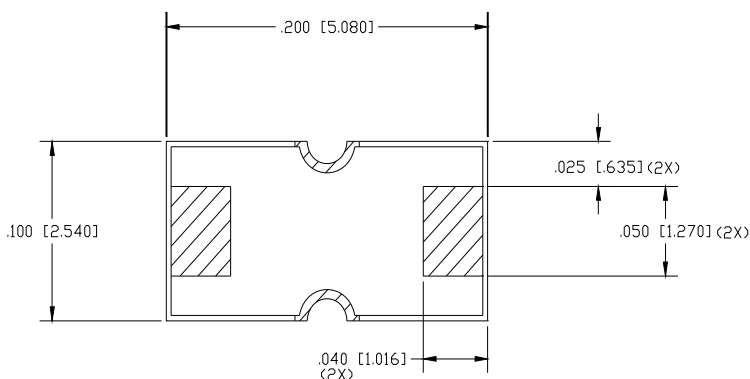
CHIP ATTENUATOR

Features:

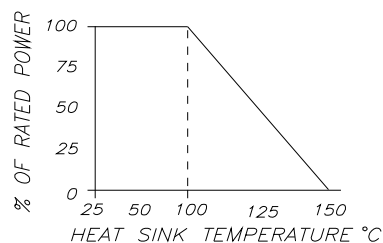
- ◆ BeO FREE Material
- ◆ DC - 4 GHz Performance
- ◆ 5 Watt Input Power
- ◆ Surface Mountable

General Description:

The ABC2010CT-0200JN-84-03 is a 2 dB BeO FREE chip attenuator. It has an input power rating of 5 watts, while maintaining a constant mounting surface temperature of 100°C. It has a frequency range from DC to 4 GHz.



DERATING CURVE:



Dimensions in inches [mm]
Tolerance ± .005 [.127]
unless otherwise stated

Parameter	Min.	Typ.	Max	Units
Frequency Range	DC		4	GHz
Attenuation	DC - 2.2 GHz	1.75	2.25	dB
Attenuation	2.2 - 4 GHz	1.50	2.50	
Input Return Loss	DC - 2.2 GHz	20		dB
Input Return Loss	2.2 - 4 GHz	16		
Output Return Loss	DC - 2.2 GHz	20		dB
Output Return Loss	2.2 - 4 GHz	16		
Input Power			5	Watts
Mounting Surface Temperature			100	°C

Barry Industries reserves the right to change part number and or process without notification.

Barry Industries, Inc., 60 Walton St., Attleboro, MA 02703 T: 508-226-3350 F: 508-226-3317 E-mail: sales@barryind.com

Barry Industries maintains an ISO 9001 Certified Quality Management System

Origination Date	Revision Date	Rev.
01/30/07	05/20/09	A