



WWW.BARRYIND.COM

TVC3737CT-50R0JN-99



BeO

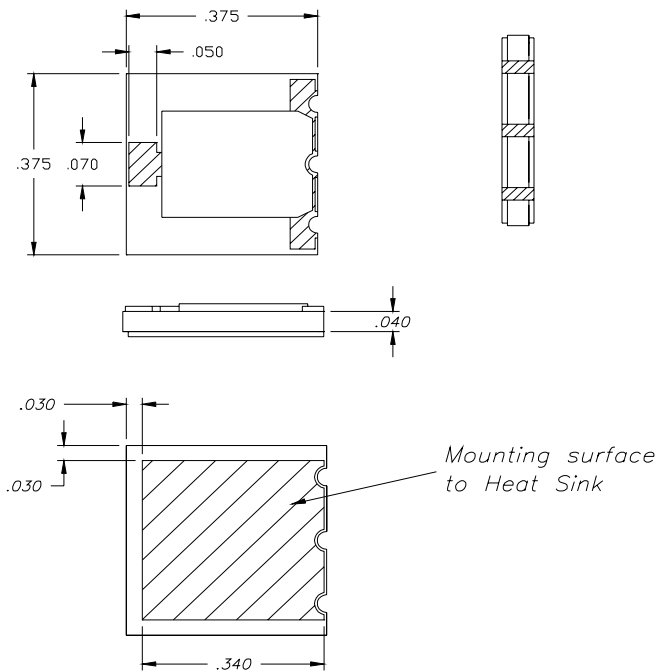
CHIP TERMINATION

Features:

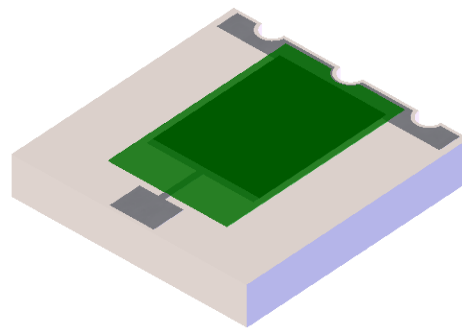
- ◆ BeO Material
- ◆ DC- 4 GHz Performance
- ◆ 250 Watt Input Power
- ◆ CT - Matte Tin over Nickel over Silver

General Description:

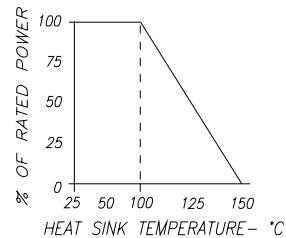
The TVC3737CT-50R0JN-99 is a 50 ohm, BeO chip termination. It has an input power of 250 watts, while maintaining a constant mounting surface temperature of 100°C. It offers a frequency range from DC to 4 GHz.



Dimensions in inches
Tolerance $\pm .010$
unless otherwise stated



DERATING CURVE:



Parameter	Min.	Typ.	Max.	Units
Frequency Range	DC		4	GHz
Input Return Loss	DC - 2.5 GHz 20 2.5 - 4 GHz 16			dB
Input Power			250	Watts
Resistance	47.5	50	52.5	Ohms
Mounting Surface Temperature			100	°C

Barry Industries reserves the right to change part number and or process without notification.

Barry Industries, Inc., 60 Walton St., Attleboro, MA 02703 T: 508-226-3350 F: 508-226-3317 E-mail: sales@barryind.com

Barry Industries maintains an ISO 9001 Certified Quality Management System

Origination Date	Revision Date	Rev.
04/02/08	04/02/08	-