



WWW.BARRYIND.COM

# TV0605ZZ-XXXXWN-YY



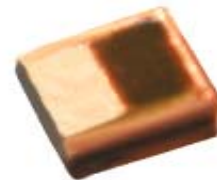
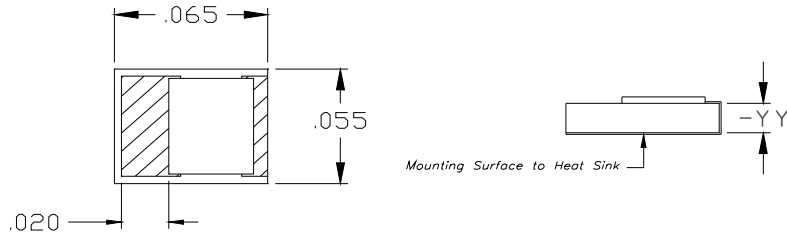
## CHIP TERMINATION

### Features:

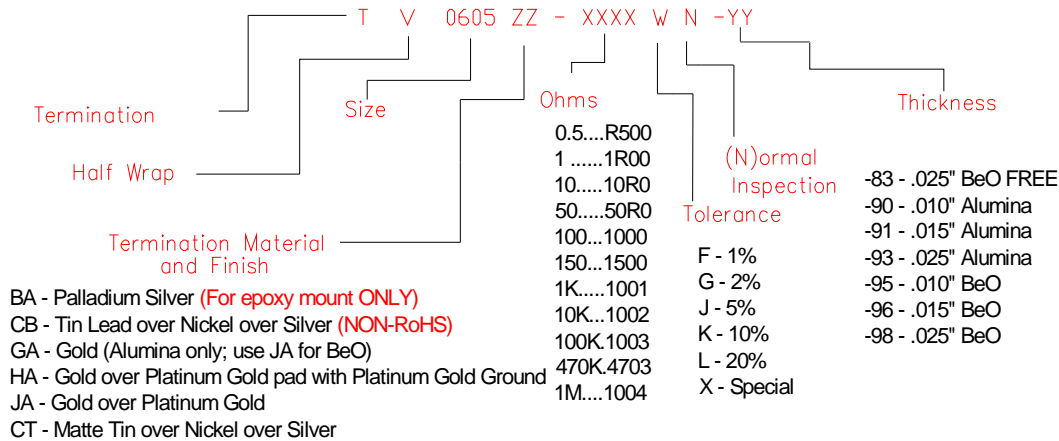
- ◆ Alumina, BeO, or BeO FREE
- ◆ DC - 3 GHz Performance
- ◆ 14 Watt (max) Power Rating
- ◆ Solder Mountable

### General Description:

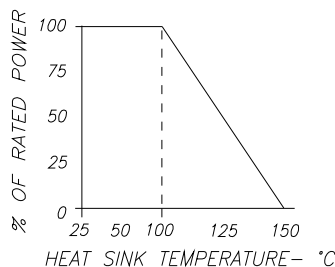
The TV0605ZZ-XXXXWN-YY is a solder mountable chip termination. It has an input power rating from 4 to 14 watts, while maintaining a constant mounting surface temperature of 100°C. It offers a frequency range from DC to 3 GHz. Available in Alumina, BeO or BeO FREE.



See chart below for ordering options



DERATING CURVE:



Dash No.	YY = Substrate Thickness	Pwr (W) / Freq (GHz) / VSWR / DC-Capacitance (pF)
-80	.010 BeO FREE Ceramic	5 / DC-3 / 1.30:1 / <0.4
-81	.015 BeO FREE Ceramic	5 / DC-3 / 1.22:1 / <0.3
-83	.025 BeO FREE Ceramic	4 / DC-3 / 1.22:1 / <0.3
-90	.010 Alumina	5 / DC-3 / 1.44:1 / <0.4
-91	.015 Alumina	5 / DC-3 / 1.30:1 / <0.3
-93	.025 Alumina	4 / DC-3 / 1.22:1 / <0.3
-95	.010 BeO	14 / DC-3 / 1.25:1 / <0.3
-96	.015 BeO	10 / DC-3 / 1.16:1 / <0.2
-98	.025 BeO	6 / DC-3 / 1.11:1 / <0.2

Barry Industries reserves the right to change part number and or process without notification.

Barry Industries, Inc., 60 Walton St., Attleboro, MA 02703 T: 508-226-3350 F: 508-226-3317 E-mail: sales@barryind.com

Barry Industries maintains an ISO 9001 Certified Quality Management System

Origination Date	Revision Date	Rev
10/29/03	08/31/09	E