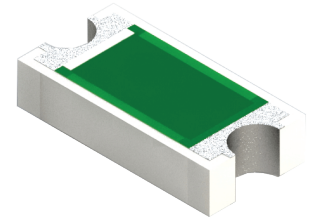


### RZC1206ZZ-XXXXJN-98 Features:

- Wraparound One Extended Pad Configuration
- Solder Attachment
- Customer Defined Testing Available
- RoHS Compliant or Sn62
- Tape & Reel or Waffle Pack Available (Standard is bulk)
- 5% Resistor Tolerance



Actual Size

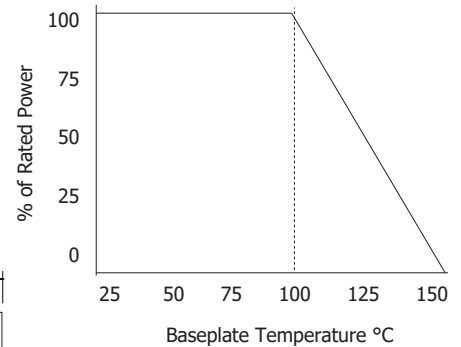
### RZC1206ZZ-XXXXJN-98 Parameters:

Resistance Range:	0.5Ω - 1MΩ
Rated Power:	12W*
Frequency Range:	DC - 3GHz
Return Loss (Typical)**:	17dB or Better
Construction:	Thick Film on BeO
Operating Temperature:	-55 to +150°C

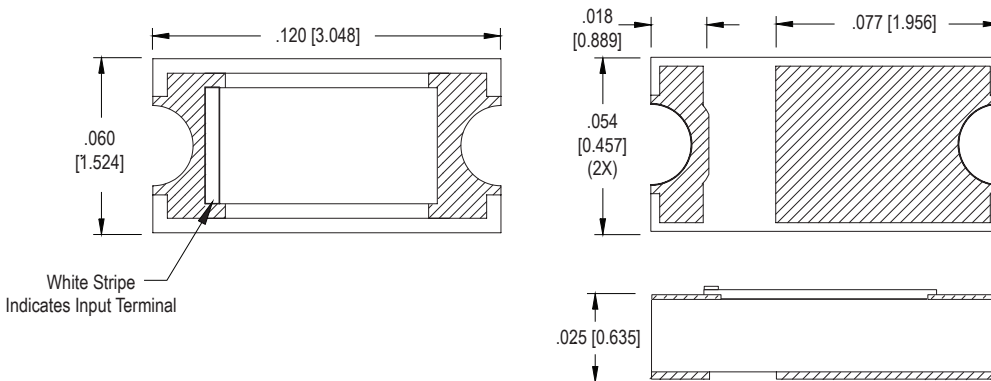
\* Rating based on ≤100°C constant baseplate temperature

\*\* Test performed of a 50Ω device in a matched, continuous 50Ω system with proper workmanship

### RZC1206ZZ-XXXXJN-98 Power Derating Curve



### RZC1206ZZ-XXXXJN-98 Dimensions:



### Ordering Information:

<b>RZC</b>	<b>1206</b>	<b>ZZ</b>	<b>-</b>	<b>XXXX</b>	<b>J</b>	<b>N</b>	<b>-</b>	<b>98</b>	<b>UU</b>
Prefix for Wraparound Resistor w/ One Extended Backpad & Castellations		Value Code		Tolerance		Normal Inspection Contact factory for additional options	Substrate		Packaging
Size	50R0 - 50Ω		J - 5%		98 - 0.025" BeO		Blank - Bulk		
1206	1000 - 100Ω	1001 - 1KΩ	1002 - 10KΩ	1003 - 100KΩ	1004 - 1MΩ		TR - Tape and Reel	WP - Waffle Pack	

### Terminal Metallization

CB -	Sn62 Tin Lead over Nickel over Silver
CT -	100% Matte Tin over Nickel over Silver

RoHS	Magnetic	Solder	Epoxy	Wirebond
No	Yes	Yes	No	No
Yes	Yes	Yes	No	No

Barry Industries reserves the right to change part number and/or process without notification.

**RZC1206ZZ-XXXXJN-98 Reliability Specifications:**

Parameter:	Test Condition:	Results:
Short Time Overload	Apply 1.1x Rated Power for 5 Seconds.	≤ 5.0% Resistance Shift
Rated Load Life	Apply 1/2 Power Under 40°C ±2°C 90 Minutes on/ 30 Minutes off. Repeat for 100 hours	≤ 5.0% Resistance Shift
Moisture Resistance	MIL-PRF-55342 para 4.8.9 95% RH, 25°C - 65°C	≤ 5.0% Resistance Shift
Resistance to Soldering Heat	MIL-STD-202 Method 210 and MIL-PRF-55342 Para 4.8.8.1	≤ 5.0% Resistance Shift
Resistance to Bonding Exposure	MIL-PRF-55342 Para 4.8.8.2	≤ 5.0% Resistance Shift
Solderability	MIL-PRF-55342 Para 4.8.12	>95% Covered
High Temperature Storage	125°C ±2°C for 500 Hours	1.) ≤ 5.0% Resistance Shift 2.) No Significant Abnormality (Visual)
Thermal Shock	-65°C to +150°C 30 Minutes Dwell, 5 Cycles	1.) ≤ 5.0% Resistance Shift 2.) No Significant Abnormality (Visual)

Barry Industries reserves the right to change part number and/or process without notification.