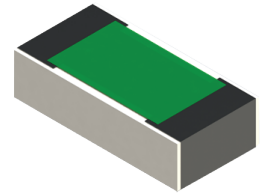


### RY1005ZZ-XXXXJN-98 Features:

- Wraparound w/ Isolated Center Pad Configuration
- Solder Attachment
- Customer Defined Testing Available
- Tape & Reel or Waffle Pack Available (Standard is bulk)
- 5% Resistor Tolerance



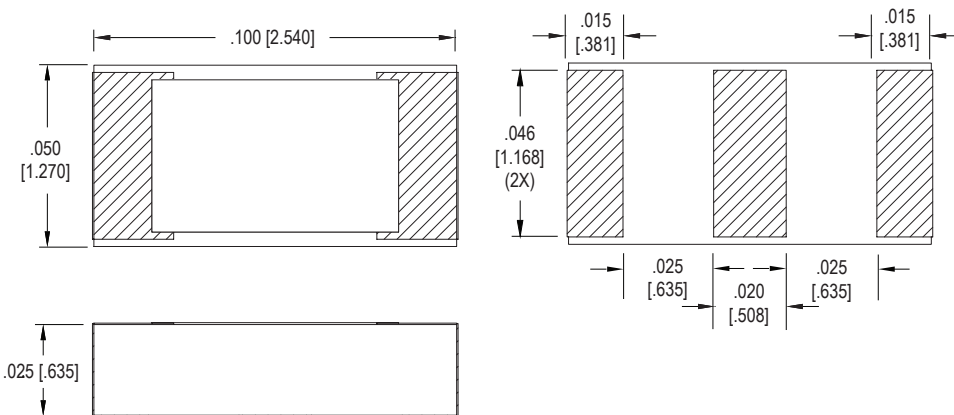
### RY1005ZZ-XXXXJN-98 Parameters:

|                        |                   |
|------------------------|-------------------|
| Resistance Range:      | 0.5Ω to 1MΩ       |
| Rated Power:           | 8W*               |
| Construction:          | Thick Film on BeO |
| Operating Temperature: | -55 to +150°C     |

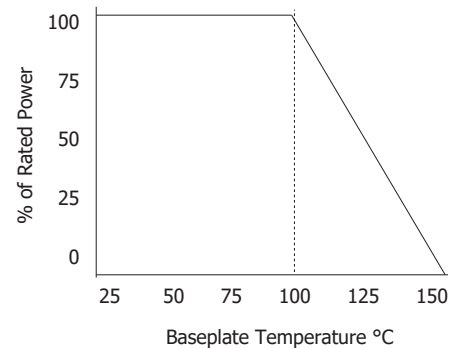
■ Actual Size

\* Rating based on ≤100°C constant baseplate temperature

### RY1005ZZ-XXXXJN-98 Dimensions:



### RY1005ZZ-XXXXJN-98 Power Derating Curve



Dimensions in inches [mm]  
Tolerance is ± 0.010 [0.254] unless otherwise stated

### Ordering Information:

|   |             |           |                     |           |  |                 |                    |           |
|---|-------------|-----------|---------------------|-----------|--|-----------------|--------------------|-----------|
| <b>RY</b>   | <b>1005</b> | <b>ZZ</b> | <b>- 50R0</b>       | <b>J</b>  | <b>N</b>                               | <b>-</b>        | <b>98</b>          | <b>UU</b> |
| Prefix for Wraparound Resistor w/ Isolated Center Pad |             |           | Value Code Examples | Tolerance | Normal Inspection                      | Substrate       | Packaging          |           |
| Size  |             |           | 10R0 - 10Ω          | J - 5%    | Contact factory for additional options | 98 - 0.025" BeO | Blank - Bulk       |           |
| 1005  |             |           | 1000 - 100Ω         |           |  |                 | TR - Tape and Reel |           |
|   |             |           | 1001 - 1KΩ          |           |  |                 | WP - Waffle Pack   |           |
|   |             |           | 1002 - 10KΩ         |           |  |                 |                    |           |
|   |             |           | 1003 - 100KΩ        |           |  |                 |                    |           |
|   |             |           | 1004 - 1MΩ          |           |  |                 |                    |           |

#### Terminal Metallization

|      |  |
|------|--|
| CB - | Sn62 Tin Lead over Nickel over Silver  |
| CT - | 100% Matte Tin over Nickel over Silver |

| RoHS | Magnetic | Solder | Epoxy | Wirebond |
|------|----------|--------|-------|----------|
| No   | Yes      | Yes    | No    | No       |
| Yes  | Yes      | Yes    | No    | No       |

Barry Industries reserves the right to change part number and/or process without notification.

**RY1005ZZ-XXXXJN-98 Reliability Specifications:**

| Parameter:                     | Test Condition:   | Results:   |
|--------------------------------|---|--|
| Short Time Overload            | Apply 1.1x Rated Power for 5 Seconds.   | ≤ 5.0% Resistance Shift  |
| Rated Load Life                | Apply 1/2 Power Under 40°C ±2°C<br>90 Minutes on/ 30 Minutes off.<br>Repeat for 100 hours | ≤ 5.0% Resistance Shift  |
| Moisture Resistance            | MIL-PRF-55342 para 4.8.9<br>95% RH, 25°C - 65°C   | ≤ 5.0% Resistance Shift  |
| Resistance to Soldering Heat   | MIL-STD-202 Method 210<br>and MIL-PRF-55342 Para 4.8.8.1                                  | ≤ 5.0% Resistance Shift  |
| Resistance to Bonding Exposure | MIL-PRF-55342 Para 4.8.8.2  | ≤ 5.0% Resistance Shift  |
| Solderability                  | MIL-PRF-55342 Para 4.8.12   | >95% Covered   |
| High Temperature Storage       | 125°C ±2°C for 500 Hours  | 1.) ≤ 5.0% Resistance Shift<br>2.) No Significant Abnormality (Visual) |
| Thermal Shock                  | -65°C to +150°C<br>30 Minutes Dwell, 5 Cycles   | 1.) ≤ 5.0% Resistance Shift<br>2.) No Significant Abnormality (Visual) |

Barry Industries reserves the right to change part number and/or process without notification.

