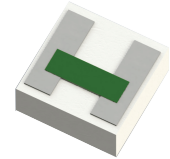


RS0202ZZ-XXXXWN-95 Features:

- Single-Sided (Flip-Chip) Terminal Configuration
- Solder, Epoxy or Wirebondable Terminals
- Customer Defined Testing Available
- RoHS Compliant or SnPb Available
- Non-Magnetic Available
- Waffle Pack Available (Standard is bulk)



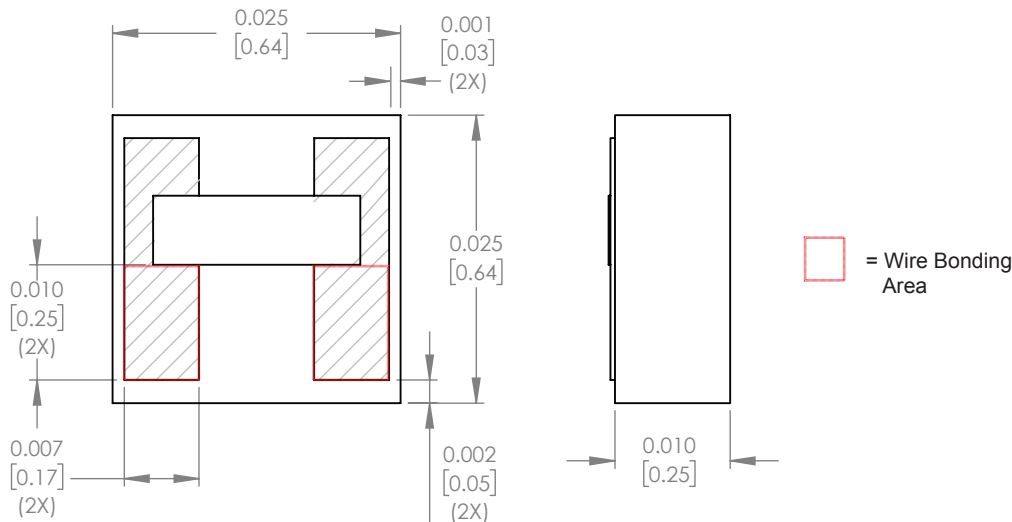
RS0202ZZ-XXXXWN-95 Parameters:

Resistance Range: 0.5Ω - 1MΩ
 Rated Power:* 200mW
 Construction: Thick Film on 0.010" BeO
 Operating Temperature: -55 to +150°C

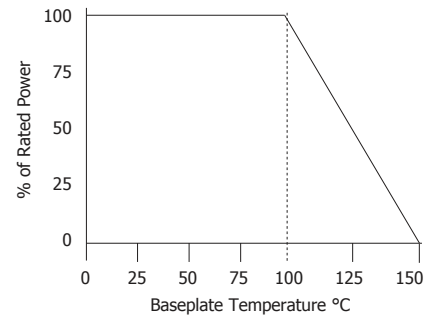
* Rating based on ≤100°C constant baseplate temperature

• Actual Size

RS0202ZZ-XXXXWN-95 Dimensions:



**RS0202ZZ-XXXXWN-95
Power Derating Curve**



Dimensions in inches [mm]
 Tolerance is ± 0.002 [0.51]
 unless otherwise stated

Ordering Information:

Example Part Number: RS0202CT-50R0JN-95

RS	0202	ZZ	-	XXXX	W	N	-	95	UU
Prefix for Resistor w/ Single-Sided Terminals				Value Code	Tolerance	Normal Inspection Contact factory for additional options		Substrate 95 - 0.010" BeO	Packaging Blank - Bulk WP - Waffle Pack
Size 0202				50R0 - 50Ω 1000 - 100Ω 1001 - 1KΩ	1002 - 10KΩ 1003 - 100KΩ 1004 - 1MΩ	F - 1% G - 2% J - 5%			
Terminal Metallization					RoHS	Magnetic	Solder	Epoxy	Wirebond
AS - Tin Lead over Platinum Palladium Gold					No	No	Yes	No	No
CB - Tin Lead over Nickel over Silver					No	Yes	Yes	No	No
CC - 100% Matte Tin over Copper over Silver					Yes	No	Yes	No	No
CT - 100% Matte Tin over Nickel over Silver					Yes	Yes	Yes	No	No
GA - Gold					Yes	No	No	Yes	Yes

Barry Industries reserves the right to change part number and/or process without notification.