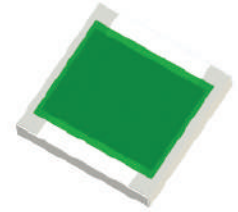


RP1010ZZ-XXXXWN-YY Features:

- Wraparound Terminal Configuration
- Customer Defined Testing Available
- RoHS Compliant or SnPb Available
- Tape and Reel and Waffle Pack Available (Standard is bulk)



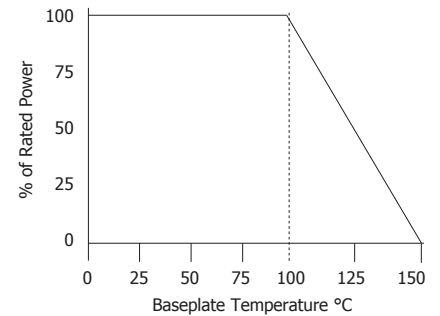
■ Actual Size

RP1010ZZ-XXXXWN-YY Parameters:

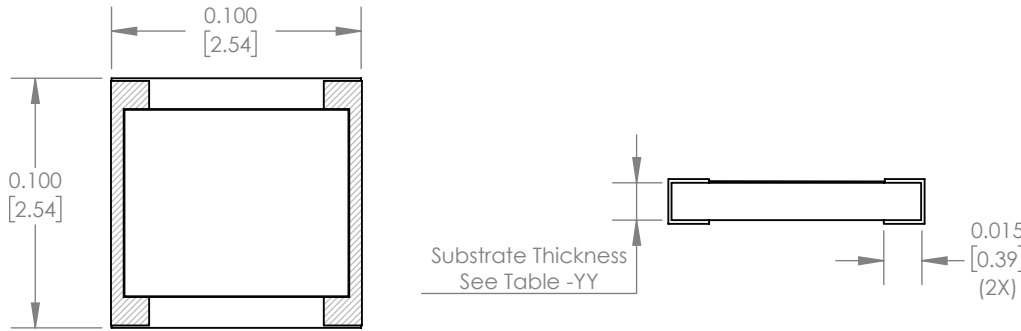
Resistance Range (Al ₂ O ₃ and BeO):	0.5Ω - 1MΩ
Resistance Range (AlN):	10Ω - 1KΩ
Rated Power:*	
0.015" Al ₂ O ₃	1W
0.025" Al ₂ O ₃	0.5W
0.015" AlN	2W
0.015" BeO	2W
Operating Temperature:	-55 to +150°C

* Rating based on ≤100°C constant baseplate temperature

RP1010ZZ-XXXXWN-YY Power Derating Curve



RP1010ZZ-XXXXWN-YY Dimensions:



Dimensions in inches [mm]
Tolerance is ± 0.005 [0.13]
unless otherwise stated

Ordering Information:

Example Part Number: RP1010CT-50R0JN-91

RP	1010	ZZ	-	XXXX	W	N	-	YY	UU
Prefix for Wraparound Resistor									
Size	1010								
		Value Code			Tolerance	Normal Inspection Contact factory for additional options		Substrate	Packaging
		50R0 - 50Ω	1002 - 10KΩ	F - 1%	91 - 0.015" Al ₂ O ₃		Blank - Bulk		
		1000 - 100Ω	1003 - 100KΩ	G - 2%	93 - 0.025" Al ₂ O ₃		TR - Tape & Reel		
		1001 - 1KΩ	1004 - 1MΩ	J - 5%	2Q - 0.015" AlN		WP - Waffle Pack		
								96 - 0.015" BeO	

Terminal Metallization	RoHS	Magnetic	Solder	Epoxy	Wirebond
AS - SnPb over Platinum Palladium Gold	No	No	Yes	No	No
AX - Sn96 over Platinum Palladium Gold	Yes	No	Yes	No	No
BA - Palladium Silver (Al ₂ O ₃ Only)	Yes	No	No	Yes	No
CB - Tin Lead over Nickel over Silver	No	Yes	Yes	No	No
CC - 100% Matte Tin over Copper over Silver	Yes	No	Yes	No	No
CT - 100% Matte Tin over Nickel over Silver	Yes	Yes	Yes	No	No
JA - Gold over Platinum Palladium Gold (BeO Only)	Yes	No	No	Yes	Yes
GA - Gold (Al ₂ O ₃ Only)	Yes	No	No	Yes	Yes

Barry Industries reserves the right to change part number and/or process without notification.

RP1010ZZ-XXXXWN-YY Reliability Specifications:

Parameter:	Test Condition:	Results:
Short Time Overload	Apply 1.1x Rated Power for 5 Seconds.	≤ 5.0% Resistance Shift
Rated Load Life	Apply 1/2 Power Under 40°C ±2°C 90 Minutes on/ 30 Minutes off. Repeat for 100 hours	≤ 5.0% Resistance Shift
Moisture Resistance	MIL-PRF-55342 para 4.8.9 95% RH, 25°C - 65°C	≤ 5.0% Resistance Shift
Resistance to Soldering Heat	MIL-STD-202 Method 210 and MIL-PRF-55342 Para 4.8.8.1	≤ 5.0% Resistance Shift
Resistance to Bonding Exposure	MIL-PRF-55342 Para 4.8.8.2	≤ 5.0% Resistance Shift
Solderability	MIL-PRF-55342 Para 4.8.12	>95% Covered
High Temperature Storage	125°C ±2°C for 500 Hours	1.) ≤ 5.0% Resistance Shift 2.) No Significant Abnormality (Visual)
Thermal Shock	-65 to +125 30 Minutes Dwell, 5 Cycles	1.) ≤ 5.0% Resistance Shift 2.) No Significant Abnormality (Visual)

Barry Industries reserves the right to change part number and/or process without notification.