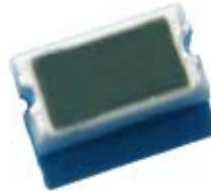


Aluminum Nitride SURFACE MOUNT RESISTOR

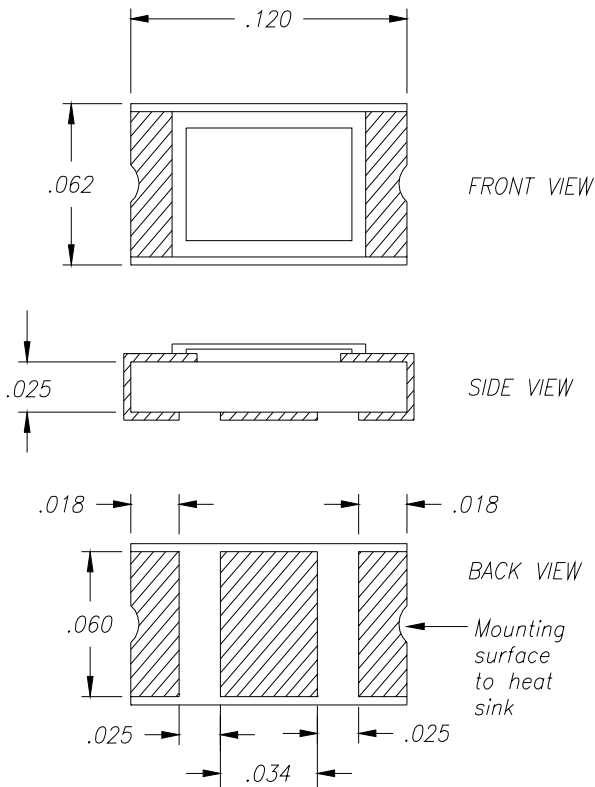
Features:

- ◆ AIN material
- ◆ 10 Watt power rating
- ◆ Surface mount



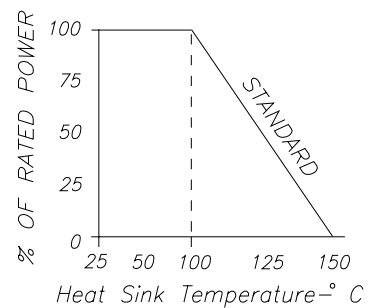
General Description:

The RYC1206CT-XXXX*JN-2S is a 50 Ohm standard surface mountable high power chip resistor ideal for small assemblies. Other resistance values available, please see below for ordering options.



- *XXXXX
|
Ohms
- 0.5....R500
 - 11R00
 - 10.....10R0
 - 50.....50R0
 - 100...1000
 - 150...1500
 - 1K.....1001
 - 10K...1002
 - 100K.1003
 - 470K.4703
 - 1M....1004

DERATING CURVE:



Parameter	Min.	Typ.	Max.	Units
Power Dissipation			10	WATTS
Heat Sink Temperature			100	°C

* Barry Industries reserves the right to change part number and or process without notification

Barry Industries, Inc., 60 Walton St., Attleboro, MA 02703 T: 508-226-3350 F: 508-226-3317 E-mail: sales@barryind.com

Barry is ISO 9001:2000 Certified by



Date	Rev.
04/13/04	A