



WWW.BARRYIND.COM

RS0603CB-50R0JN-95

BeO

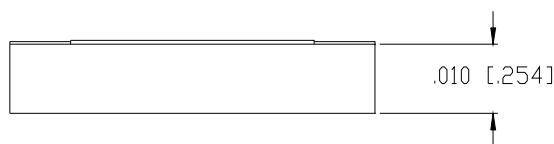
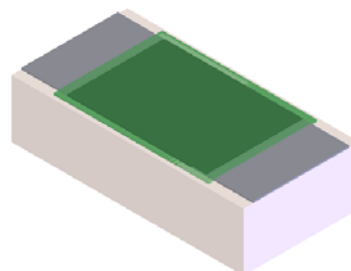
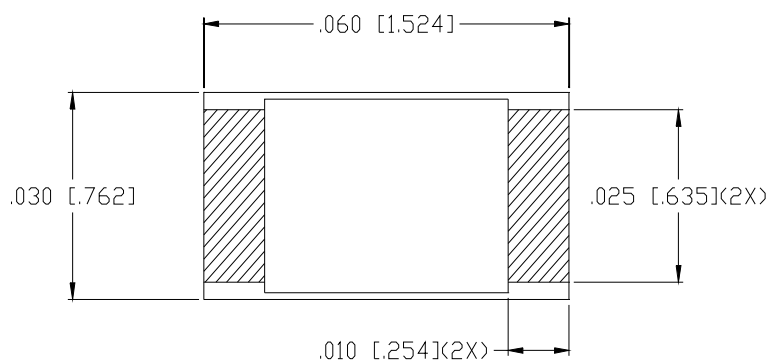
FLIP CHIP RESISTOR

Features:

- ◆ BeO Material
- ◆ Flip Chip - No Backpad
- ◆ CB = Tin Lead over Nickel over Silver

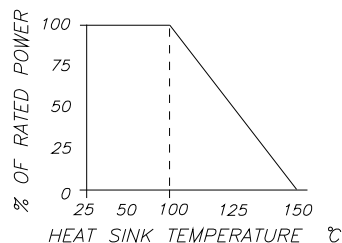
General Description:

The RS0603CB-50R0JN-95 is a 50 ohm, BeO flip chip resistor. It offers a small package design which is ideal for miniature electronics.



Dimensions in inches [mm]
Tolerance $\pm .005$ [.127]
unless otherwise stated

DERATING CURVE:



Parameter	Min.	Typ.	Max.	Units
Resistance Tolerance	47.5	50	52.5	Ohms
Input Power			.15	Watts
Mounting Surface Temperature			100	°C

Barry Industries reserves the right to change part number and or process without notification.

Barry Industries, Inc., 60 Walton St., Attleboro, MA 02703 T: 508-226-3350 F: 508-226-3317 E-mail: sales@barryind.com
Barry Industries maintains an ISO 9001 Certified Quality Management System

Origination Date	Revision Date	Rev.
05/06/10	05/06/10	-