



WWW.BARRYIND.COM

RM2335CT-XXXX*GN-99-06



BeO

POWER CHIP RESISTOR

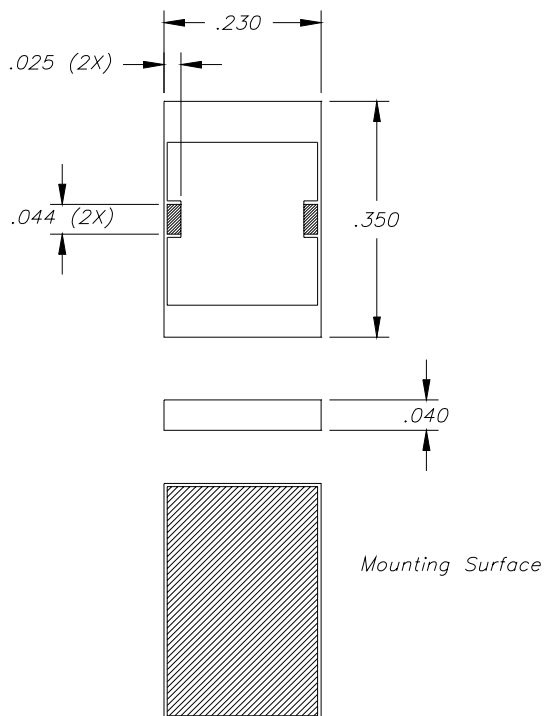
Features:

- ◆ BeO Material
- ◆ 200 Watt Input Power
- ◆ Surface Mountable

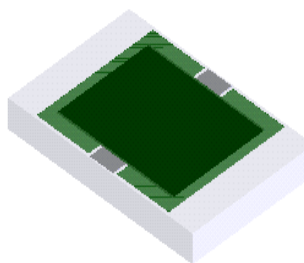
General Description:

The RM2335CT-XXXX*GN-99-06 is a BeO power chip resistor. It has an input power of 200 watts max while maintaining a constant heat sink temperature of 100°C. It offers standard resistance values of 50 and 100 Ohms. Other resistance values also available.

* See below for ordering options.

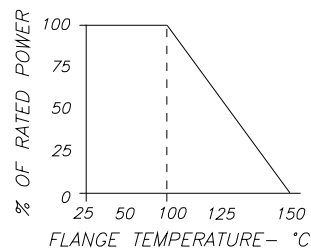


Dimensions in inches
Tolerance ± .010
unless otherwise stated



- * XXXX
Ohms
- 0.5 ... R 500
 - 1 1R 00
 - 10 10R 0
 - 50 50R 0
 - 100 ... 1000
 - 150 ... 1500
 - 1K 1001
 - 10K ... 1002
 - 100K .1003
 - 470K .4703
 - 1M 1004

DERATING CURVE:



Sample Part Number:
RM2335CT-1000GN-99-06
(100 Ohms)

Parameter	Min.	Typ.	Max.	Units
Input Power			200	Watts
Resistance		+/- 2%		Ohms
Capacitance (at 1 MHz)		2.15		pF
Heat Sink Temperature			100	°C

Barry Industries reserves the right to change part number and or process without notification

Barry Industries, Inc., 60 Walton St., Attleboro, MA 02703 T: 508-226-3350 F: 508-226-3317 E-mail: sales@barryind.com

Barry Industries maintains an ISO 9001 Certified Quality Management System

Origination Date	Revision Date	Rev.
11/20/07	11/20/07	-