



WWW.BARRYIND.COM

# RM2335CT-1000GN-99-01



## BeO

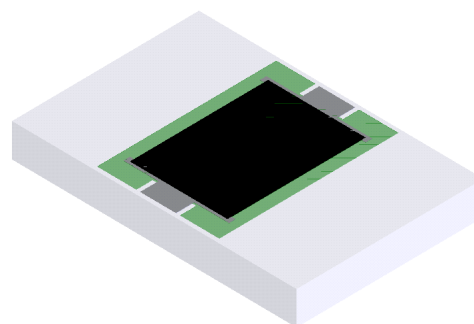
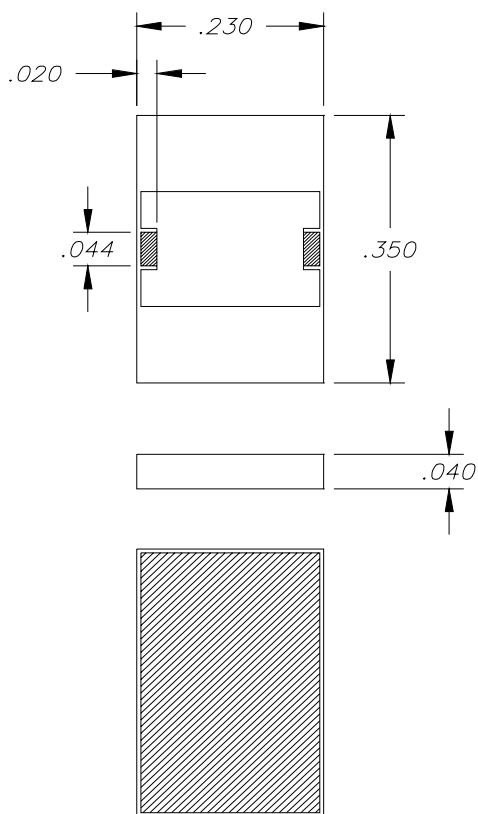
## CHIP RESISTOR

### Features:

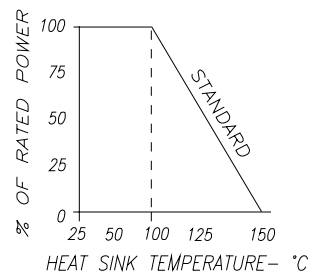
- ◆ BeO material
- ◆ 150 Watt power handling

### General Description:

The RM2335CT-1000GN-99-01 is a 100 Ohm BeO chip resistor. It offers an input power of 150 Watts max while maintaining a mounting surface temperature of 100°C.



DERATING CURVE:



Parameter	Min.	Typ.	Max.	Units
Power			150	Watts
Resistance	98	100	102	Ohms
Capacitance(at 1 MHz)		1.22		pF
Mounting Surface Temperature			100	°C

\* Barry Industries reserves the right to change part number and or process without notification

Barry Industries, Inc., 60 Walton St., Attleboro, MA 02703 T: 508-226-3350 F: 508-226-3317 E-mail: sales@barryind.com

Barry Industries maintains an ISO 9001 Certified Quality Management System

Origination Date	Revision Date	Rev.
03/01/07	03/01/07	-