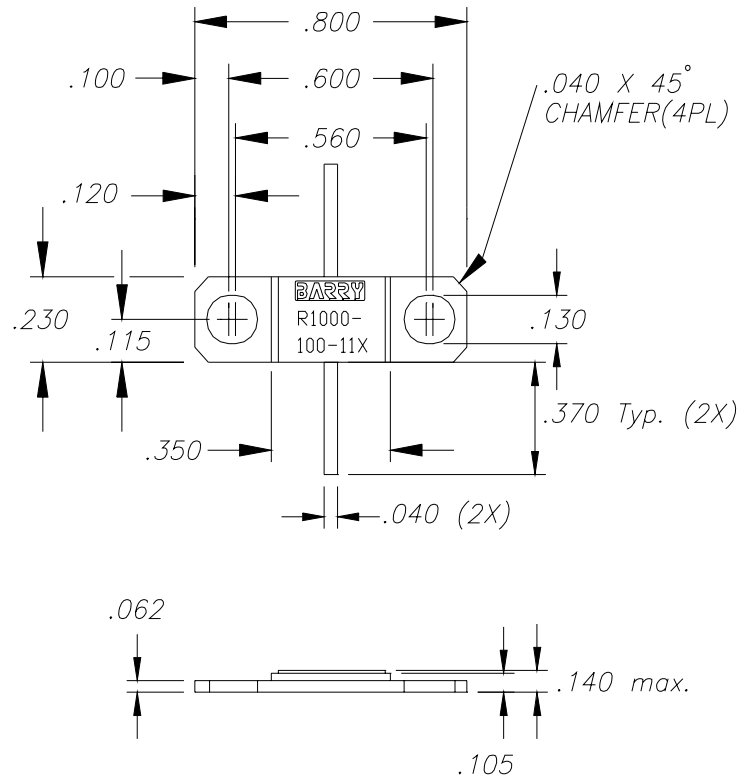


BeO

FLANGED RESISTOR

Features:

- ◆ BeO material
- ◆ 100 Watt input power
- ◆ Flange mount
- ◆ DC - 4 GHz performance



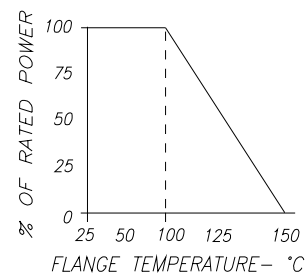
Dimensions in inches
Tolerance $\pm .010$
unless otherwise stated

General Description:

The R1000-100-11X is a 100 ohm flanged BeO resistor with an input power of 100 watts, while maintaining a flange temperature of 100°C. It offers a frequency range of DC - 4 GHz.



DERATING CURVE:



Parameter	Min.	Typ.	Max.	Units
Frequency Range	DC		4	GHz
Power			100	Watts
Resistance	95	100	105	Ohm
Capacitance (at 1 MHz)		1.42		pF
Flange Temperature			100	°C

* Barry Industries reserves the right to change part number and or process without notification

Barry Industries, Inc., 60 Walton St., Attleboro, MA 02703 T: 508-226-3350 F: 508-226-3317 E-mail: sales@barryind.com

Barry Industries maintains an ISO 9001 Certified Quality Management System

Origination Date	Revision Date	Rev.
10/24/07	10/24/07	-