

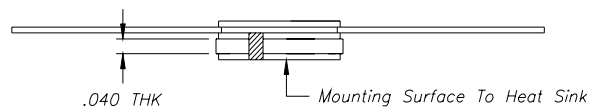
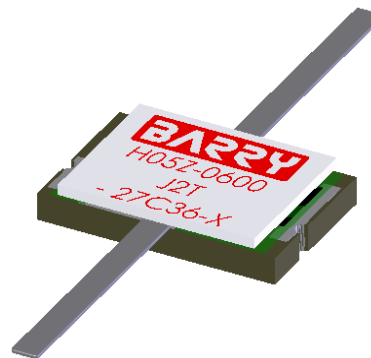
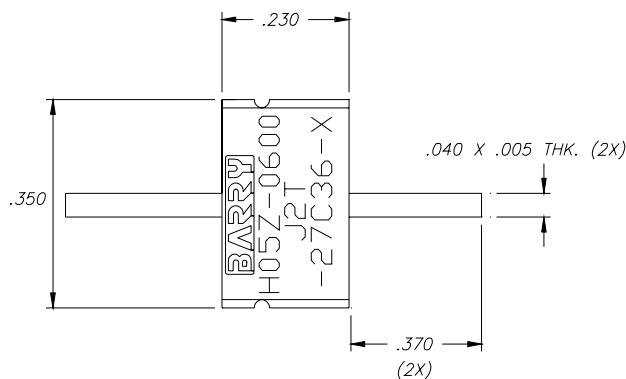
ALUMINUM NITRIDE 6 dB LEADED ATTENUATOR

Features:

- ◆ AIN material
- ◆ 100 Watt Input Power
- ◆ Solder Mountable

General Description:

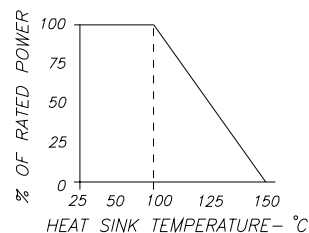
The H05Z-0600J2T-27C36-X is a 6 dB Aluminum Nitride leaded attenuator with a frequency range from DC - 2.5 GHz. It offers an input power of 100 Watts while maintaining a mounting surface temperature of 100°C max.



*Dimensions in inches
Tolerance ± .010 unless
otherwise stated.*

*Can be mounted from either
direction*

DERATING CURVE:



Parameter	Min.	Typ.	Max.	Units
Frequency Range	DC		2.5	GHz
Attenuation	5	6	7	dB
Input Return Loss	22			dB
Output Return Loss	22			dB
Input Power			100	WATTS
Mounting Surface Temperature			100	°C

* Barry Industries reserves the right to change part number and or process without notification

Barry Industries, Inc., 60 Walton St., Attleboro, MA 02703 T: 508-226-3350 F: 508-226-3317 E-mail: sales@barryind.com

Barry is ISO 9001:2000 Certified by



Origination Date	Revision Date	Rev.
04/25/08	04/25/08	-