



WWW.BARRYIND.COM

AVC3737CT-0500JN-2U-06



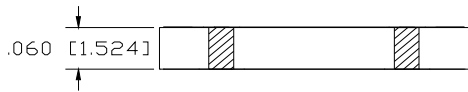
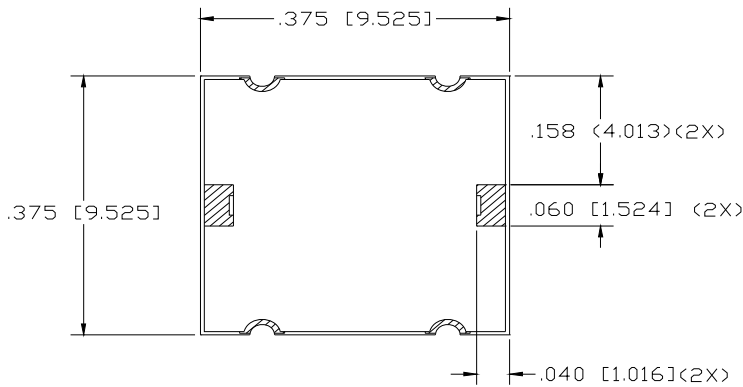
Aluminum Nitride 5 dB CHIP ATTENUATOR

Features:

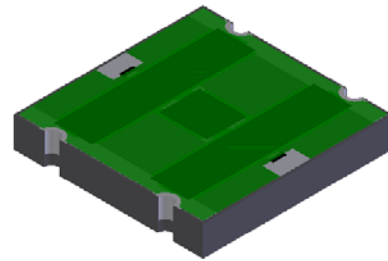
- ◆ Aluminum Nitride Material
- ◆ DC - 2.5 GHz Performance
- ◆ 250 Watt Input Power
- ◆ Surface Mountable

General Description:

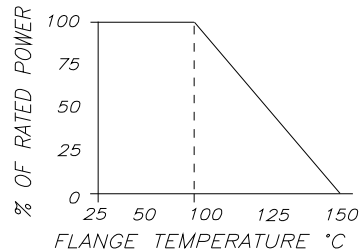
The AVC3737CT-0500JN-2U-06 is a 5 dB, Aluminum Nitride chip attenuator. It has an input power of 250 watts, while maintaining a constant mounting surface temperature of 100°C. It offers a frequency range from DC to 2.5 GHz.



Dimensions in inches [mm]
Tolerance $\pm .005$ [.127]
unless otherwise stated



DERATING CURVE:



Parameter	Min.	Typ.	Max.	Units
Frequency Range	DC		2.5	GHz
Input Power			250	Watts
Input Return Loss	24			dB
Output Return Loss	24			dB
Mounting Surface Temperature			100	°C
Attenuation	4.5	5.0	5.5	dB

Barry Industries reserves the right to change part number and or process without notification.

Barry Industries, Inc., 60 Walton St., Attleboro, MA 02703 T: 508-226-3350 F: 508-226-3317 E-mail: sales@barryind.com
Barry Industries maintains an ISO 9001 Certified Quality Management System

Origination Date	Revision Date	Rev.
03/09/09	03/09/09	-