



WWW.BARRYIND.COM

AVC2525CB-0100JN-99

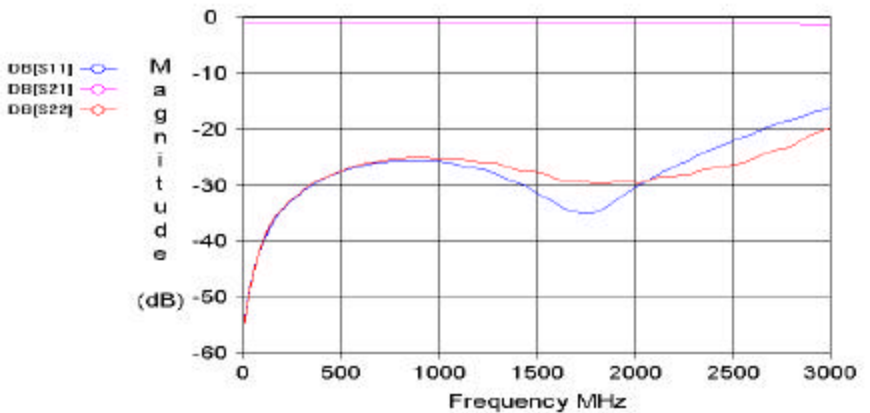
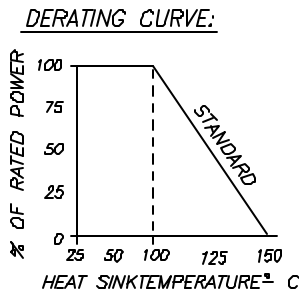
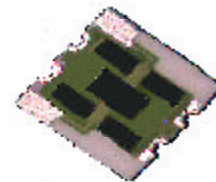
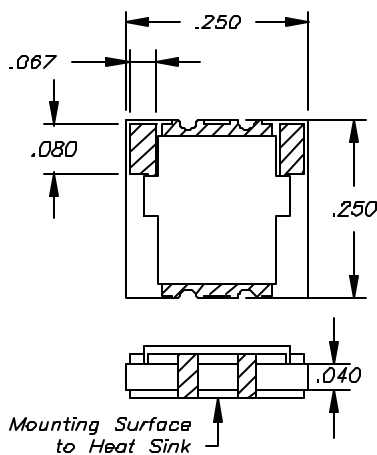
BeO 1 dB ATTENUATOR

Features:

- ◆ BeO material
- ◆ DC to 2.5GHz
- ◆ 40 Watt Power Rating
- ◆ Input and Output pads offset from center

General Description:

The AVC2525CB-0100JN-99 is a BeO 1 dB single slope attenuator with a frequency range up to 2.5GHz. It has a power rating of 40 Watts while maintaining a heat sink temperature of 100°C and is solder mountable. This chip offers an input and output pad offset from center line of chip to allow for assembly on off center devices.



Parameter	Min.	Typ.	Max	Units
Frequency Range	DC		2.5	GHz
Attenuation Flatness		±.5		dB
Input Return Loss	20			dB
Output Return Loss	20			dB
Power Dissipation			40	Watts
Heat Sink Temperature			100	°C

DATE	REV.
9/17/04	-