

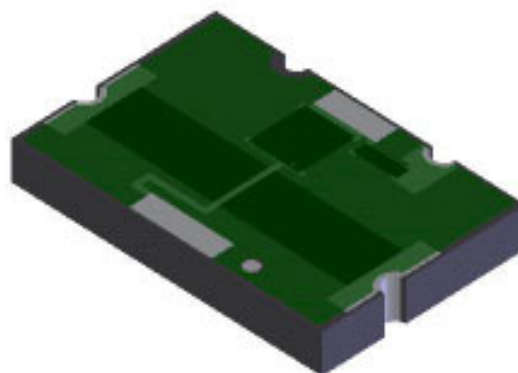
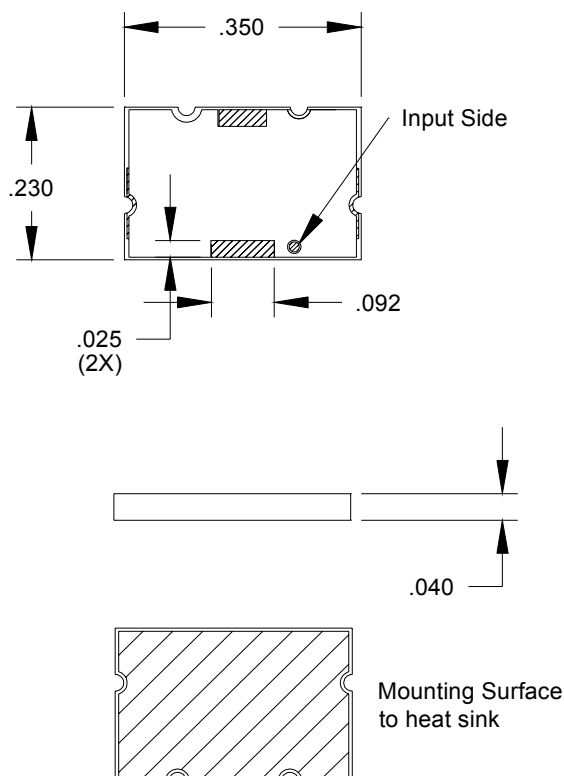
ALUMINUM NITRIDE 20 dB CHIP ATTENUATOR

Features:

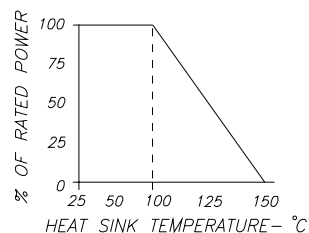
- ◆ ALN material
- ◆ 100 Watt Input Power
- ◆ Solder Mountable
- ◆ CT - Matte Tin over Nickel over Silver

General Description:

The AVC2335CT-2000GN-2T-26 is a 20 dB Aluminum Nitride chip attenuator with a frequency range from DC - 2.5 GHz and an input power of 100 Watts while maintaining a mounting surface temperature of 100°C max.



DERATING CURVE:



Parameter	Min.	Typ.	Max.	Units
Frequency Range	DC		2.5	GHz
Attenuation	19	20	21	dB
Input Return Loss	25			dB
Output Return Loss	25			dB
Input Power			100	WATTS
Reverse Power (output)			2	WATTS
Mounting Surface Temperature			100	°C

* Barry Industries reserves the right to change part number and or process without notification

Barry Industries, Inc., 60 Walton St., Attleboro, MA 02703 T: 508-226-3350 F: 508-226-3317 E-mail: sales@barryind.com
 Barry Industries maintains an ISO 9001 Certified Quality Management System

Origination Date	Revision Date	Rev.
06/25/07	06/25/07	-