



WWW.BARRYIND.COM

AV0904GA-0600JN-91



ALUMINA

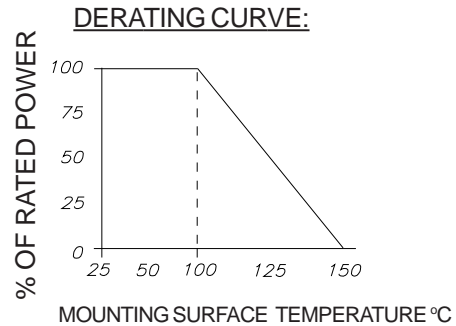
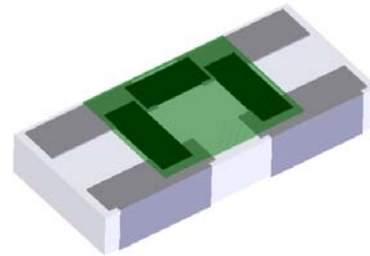
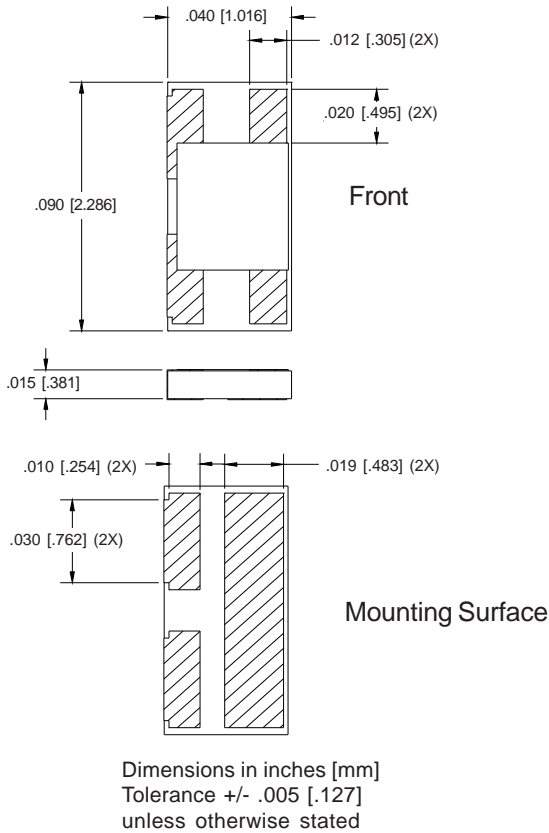
CHIP ATTENUATOR

Features:

- ◆ .015" Alumina Material
- ◆ .75 Watt Input Power
- ◆ GA - Gold

General Description:

The AV0904GA-0600JN-91 is a 6 dB Alumina chip attenuator. It is epoxy mountable and wire bondable. It offers a frequency range from DC - 30 GHz, with an input power rating of .75 watts, while maintaining a constant mounting surface temperature of 100°C.



PARAMETERS ARE REPRESENTATIVE ONLY, PERFORMANCE VARIES BY FREQUENCY RANGE AND dB VALUE.

Parameter	Min.	Typ.	Max.	Units
Frequency Range	DC		30	GHz
Attenuation DC - 30GHz	5.50	6.00	6.50	dB
Return Loss DC - 18 GHz Return Loss >18 - 30 GHz	20 12			
Input Power			.75	Watts
Mounting Surface Temperature			100 150 (0% Power)	°C

Barry Industries reserves the right to change part number and or process without notification.

Barry Industries, Inc., 60 Walton St., Attleboro, MA 02703 T: 508-226-3350 F: 508-226-3317 E-mail: sales@barryind.com
Barry Industries maintains an ISO 9001 Certified Quality Management System

Origination Date	Revision Date	Rev.
07/18/13	07/18/13	-