



WWW.BARRYIND.COM

ATC2010CT-1500JN-93-02



Alumina

15 dB

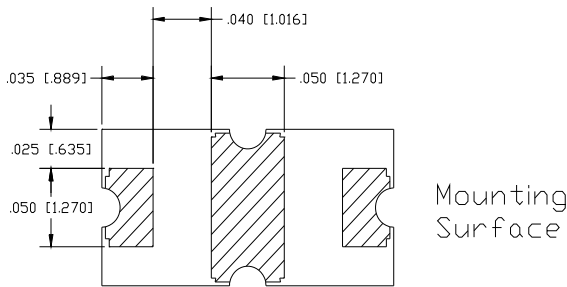
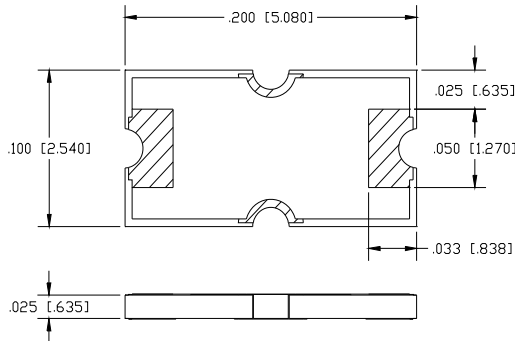
CHIP ATTENUATOR

Features:

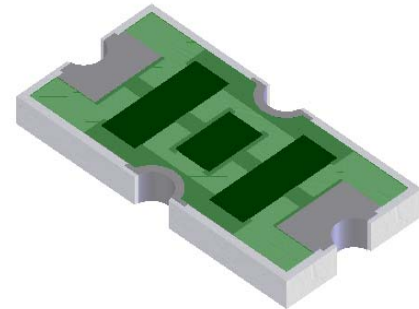
- ◆ Alumina Material
- ◆ DC - 5 GHz Performance
- ◆ 5 Watt Input Power
- ◆ CT= Matte Tin over Nickel over Silver
- ◆ Solder Mountable

General Description:

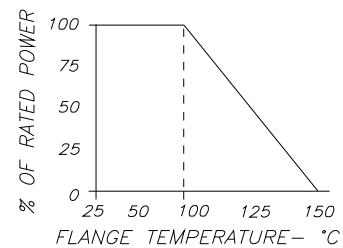
The ATC2010CT-1500JN-93-02 is a 15 dB Alumina chip attenuator. It has an input power rating of 5 watts, while maintaining a constant mounting surface temperature of 100°C. It offers a frequency range from DC to 5 GHz.



Dimensions in inches [mm]
Tolerance $\pm .005$ [.127]
unless otherwise stated



DERATING CURVE:



Parameter	Min.	Typ.	Max	Units
Frequency Range	DC		5	GHz
Attenuation	14	15	16	dB
Input Return Loss	20			dB
Output Return Loss	20			dB
Input Power			5	Watts
Mounting Surface Temperature			100 150 (0% Power)	°C

Barry Industries reserves the right to change part number and or process without notification.

Barry Industries, Inc., 60 Walton St., Attleboro, MA 02703 T: 508-226-3350 F: 508-226-3317 E-mail: sales@barryind.com

Barry Industries maintains an ISO 9001 Certified Quality Management System

Origination Date	Revision Date	Rev.
04/12/12	04/12/12	-