

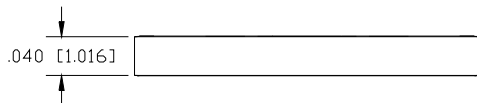
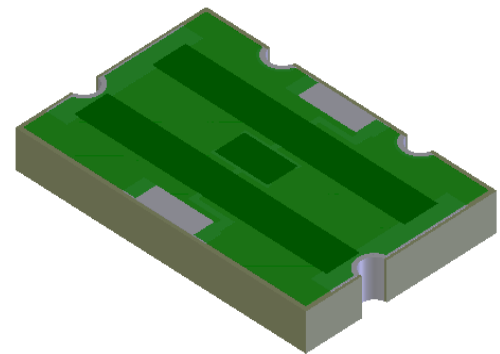
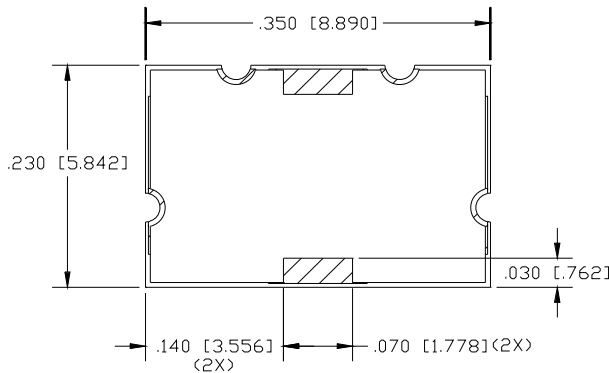
ALUMINUM NITRIDE 5 dB CHIP ATTENUATOR

Features:

- ◆ Aluminum Nitride Material
- ◆ DC - 3 GHz Performance
- ◆ 100 Watt Input Power
- ◆ Solder Mountable

General Description:

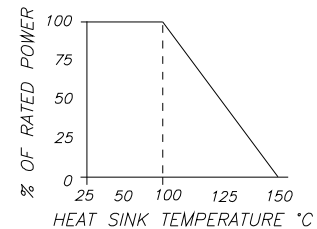
The ABC2335CT-0500JN-2T-27 is a 5 dB Aluminum Nitride chip attenuator. It has an input power of 100 watts, while maintaining a constant mounting surface temperature of 100°C. It offers a frequency range from DC to 3 GHz.



Dimensions in inches [mm]
Tolerance $\pm .005$ [.12]
unless otherwise stated

EITHER TERMINAL CAN BE USED AS INPUT

DERATING CURVE:



Parameter	Min.	Typ.	Max.	Units
Frequency Range	DC		3	GHz
Attenuation	4	5	6	dB
Input Return Loss	17			dB
Output Return Loss	17			dB
Input Power			100	Watts
Mounting Surface Temperature			100	°C

Barry Industries reserves the right to change part number and or process without notification.

Barry Industries, Inc., 60 Walton St., Attleboro, MA 02703 T: 508-226-3350 F: 508-226-3317 E-mail: sales@barryind.com

Barry Industries maintains an ISO 9001 Certified Quality Management System

Origination Date	Revision Date	Rev.
01/29/09	01/29/09	-